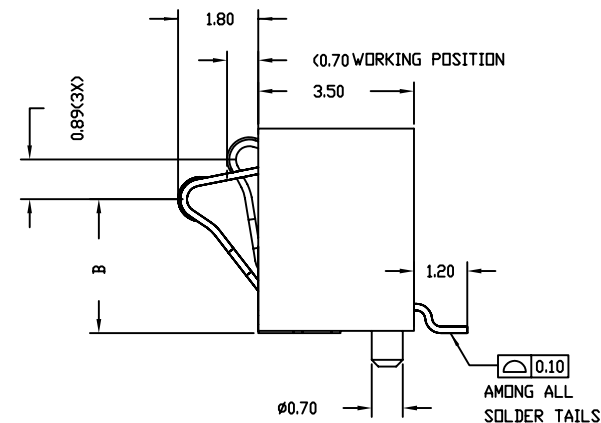
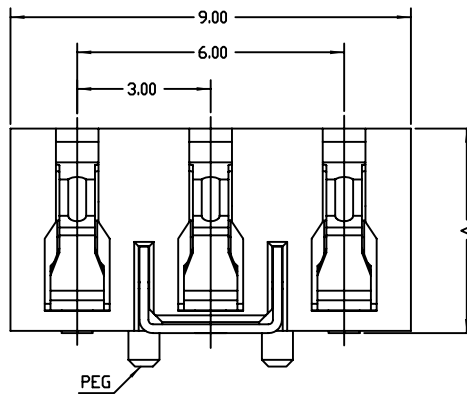


00 12-23

MATERIAL:
 HOUSING: LCP GLASS FILLED, UL 94V-0, BLACK
 TERMINAL: COPPER ALLOY
 FITTING NAIL: STAINLESS STEEL
 PLATING:
 TERMINAL: GOLD PLATING ON CONTACT AREA
 GOLD FLASH PLATING ON SOLDER TAIL
 OVERALL NICKEL PLATING
 FITTING NAIL: OVERALL TIN PLATING
 OVERALL NICKEL PLATING



Ordering Information

EI-4140-M 03 N XX M G0 XX

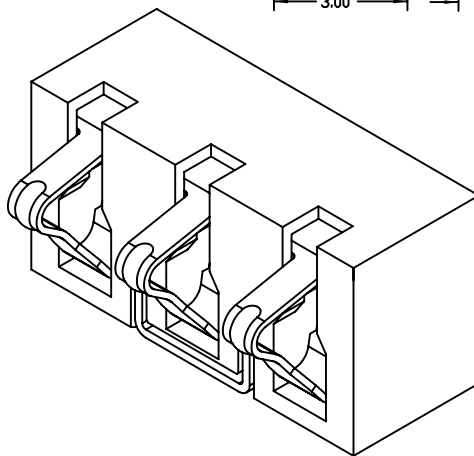
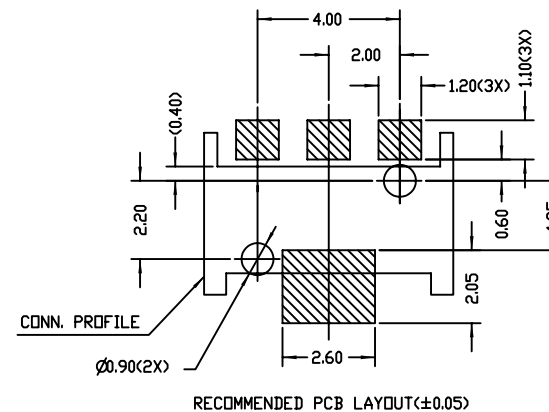
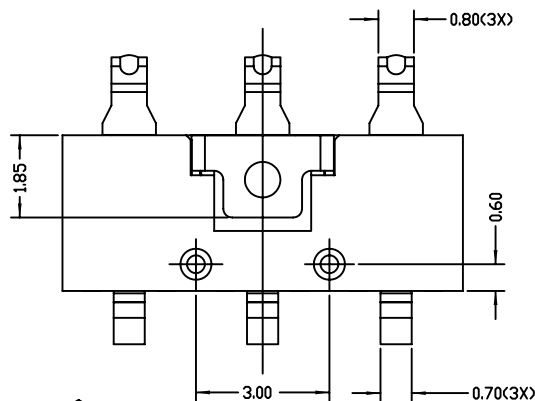
No. of Pins
3P

Trough
L=Left
R=Right
N=Without

Pole Position
00: With Post
01: Post in Middle
02: Post on Left
02: Post on Side

Contact Plating
 G0=Gold Flash
 G1=3u"Gold
 G2=5u"Gold
 G3=10u"Gold
 G4=15u"Gold
 G5=30u"Gold
 S0=Gold Flash/Tin
 S1=3u"Gold/Tin
 S2=5u"Gold/Tin
 S3=10u"Gold/Tin
 S4=15u"Gold/Tin
 S5=30u"Gold/Tin
 SN=Tin

Series No.



00	12/23-'09	新制訂
DRAFT	Peggy Leu	DATE 12/23-'09
CHECKER	Benedict Liang	DATE 12/23-'09
APPROVAL	Jacky Lin	DATE 12/23-'09
DRAWING NO	新制訂 EI-4140-M03NXXMG0XX	
TOLERANCES		SCALE 1:1
.X ± .XXX ±		UNIT mm
.XX ± ANGLES		SHEET 1/1
REV 00		REVISIONS
MATERIAL		DESCRIPTION

EI-4140-M03N03MG001	5.00	3.41	YES
EI-4140-M03N00MG002	5.00	3.41	NO
EI-4140-M03N03MG003	4.60	3.01	YES
EI-4140-M03N00MG004	4.60	3.01	NO
P/N	A	B	PEG

TOLERANCE	
X. ±5°	X. ±0.38
.X ±2°	.X ±0.25
.XX ±1°	.XX ±0.12
.XXX ±0.5°	.XXX ±0.12

Wellco T&C Co., Ltd.

DESCRIPTION
EI-4140-M03NXXMG0XX