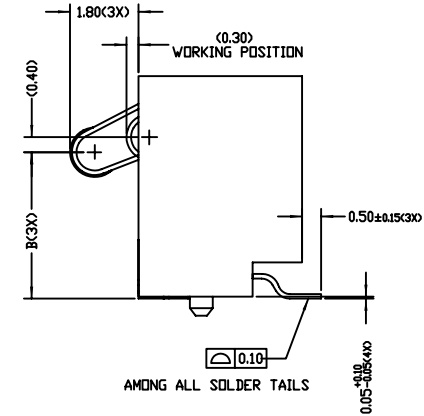
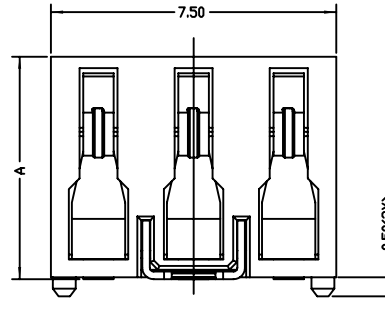


00 12-23

MATERIAL:
 HOUSING: LCP GLASS FILLED, UL 94V-0, BLACK
 TERMINAL: COPPER ALLOY
 FITTING NAIL: STAINLESS STEEL
 PLATING:
 TERMINAL: GOLD PLATING ON CONTACT AREA
 GOLD FLASH PLATING ON SOLDER TAIL
 OVERALL NICKEL PLATING
 FITTING NAIL: OVERALL TIN PLATING
 OVERALL NICKEL PLATING



Ordering Information

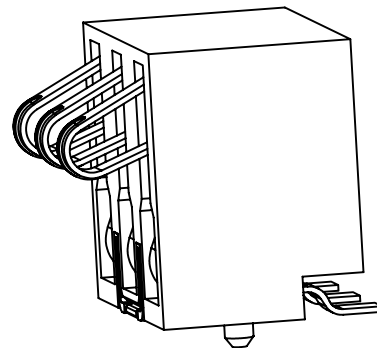
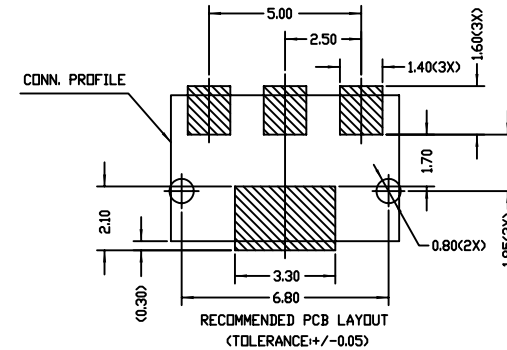
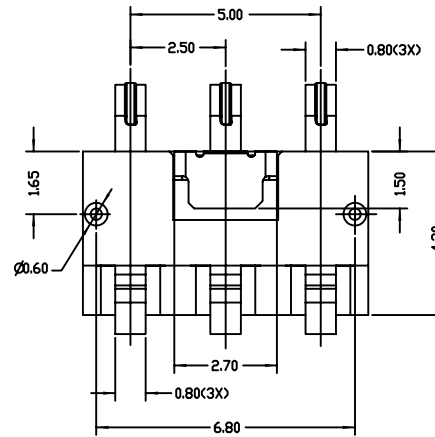
EI-4120-M 03 N 03 M G0 XX

No. of Pins
3P

Trough
L=Left
R=Right
N=Without

Pole Position
00: With Post
01: Post in Middle
02: Post on Left
03: Post on Side

Contact Plating Series No.
 G0=Gold Flash
 G1=3u"Gold
 G2=5u"Gold
 G3=10u"Gold
 G4=15u"Gold
 G5=30u"Gold
 S0=Gold Flash/Tin
 S1=3u"Gold/Tin
 S2=5u"Gold/Tin
 S3=10u"Gold/Tin
 S4=15u"Gold/Tin
 S5=30u"Gold/Tin
 SN=Tin



EI-4120-M03N03MG001	7.55	5.55
EI-4120-M03N03MG002	7.25	5.25
EI-4120-M03N03MG003	7.05	5.05
EI-4120-M03N03MG004	6.55	4.55
EI-4120-M03N03MG005	6.25	4.25
EI-4120-M03N03MG006	6.05	4.05
EI-4120-M03N03MG007	5.85	3.85
P/N	A	B

TOLERANCE	
X. ±5°	X. ±0.38
.X ±2°	.X ±0.25
.XX ±1°	.XX ±0.12
.XXX ±0.5°	.XXX ±0.12

00 12/23-'09	新制訂
DRAFT Peggy Leu	DATE 12/23-'09
CHECKER Benedict Liang	DATE 12/23-'09
APPROVAL Jacky Lin	DATE 12/23-'09
DRAWING NO 001223-09	MATERIAL
TOLERANCES .X ± . .XXX ± .XX ± . ANGLES	
REV 00	SHEET 1/1
UNIT mm	SCALE 1:1

Wellco T&C Co., Ltd.

DESCRIPTION	EI-4120-M03N03MG0XX
-------------	---------------------