

# Wellco T&C Co., Ltd.

## 808 nm High-Power Laser Diode (AL0808T5000)

### Features:

Output power 5.0w(CW)  
 Variety of stripe width  
 Efficient quantum well structure

### Application:

Solid-state laser pumping  
 Medical usage  
 Beacons and Illumination  
 Free-space communication  
 Infrared light sources

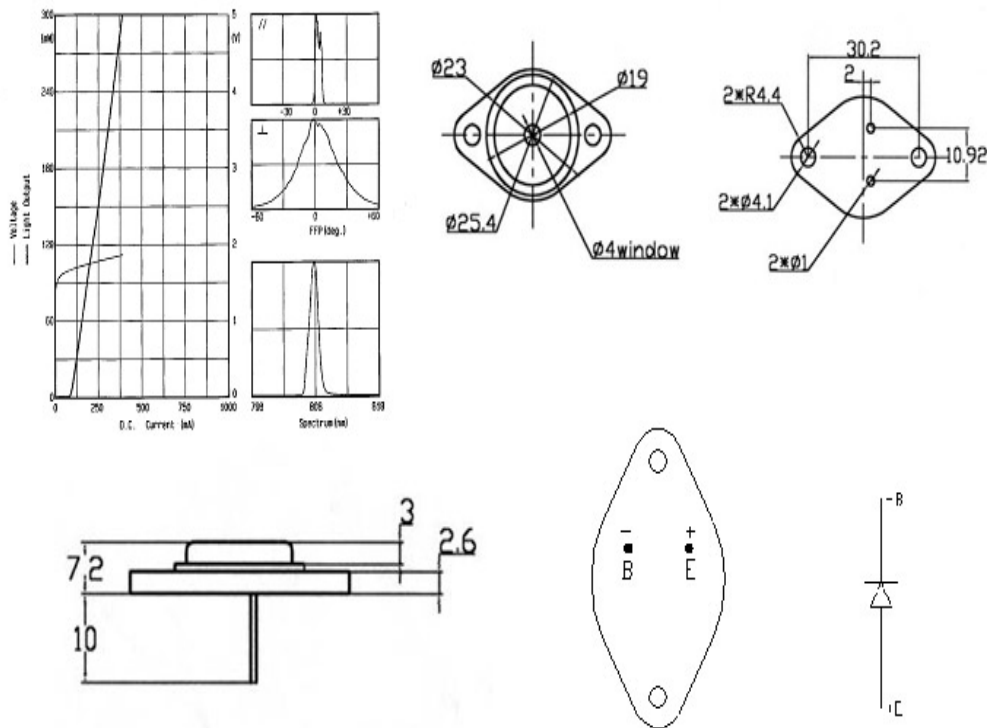


### Specifications:

Parameter	Value
	AL808T5000
CW output power (mW)	5000
Peak wavelength (nm)	808, 10
Spectral width (nm)	- 5
Threshold current (A)	- 1100
Operating current (A)	- 5200
Operating voltage (V)	- 2.2
Slope efficiency (W/A)	. 1.0
Beam divergence $\theta_0 \theta_1$ (deg. )	12/40
Wavelength temperature coefficient (nm/2 )	0.3
Emitting area ( $\mu\text{m}$ )	2000 1
Serial resistance ( $\Omega$ )	- 0..25
Lifetime(h)	10000
Package	TO-3, C-Mount

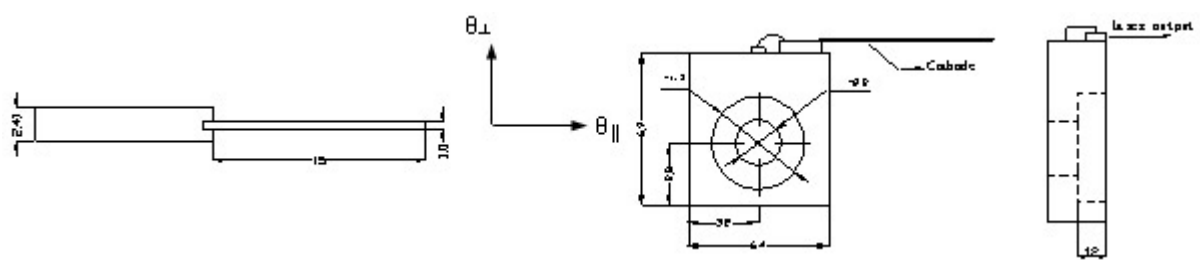
# Wellco T&C Co., Ltd.

## TO-3 Package(Unit: mm)



-Mount heat sink (Unit : mm! Heat sink(+))

### C-Mount 1 (C)



### C-Mount 2 (S)

