

Wellco T&C Co., Ltd.

808 nm High-Power Laser Diode (AL0808T3000)

Features:

Output power:3.0w(CW)
 Variety of stripe width
 Efficient quantum well structure

Application:

Solid-state laser pumping
 Medical usage
 Beacons and Illumination
 Free-space communication
 Infrared light sources

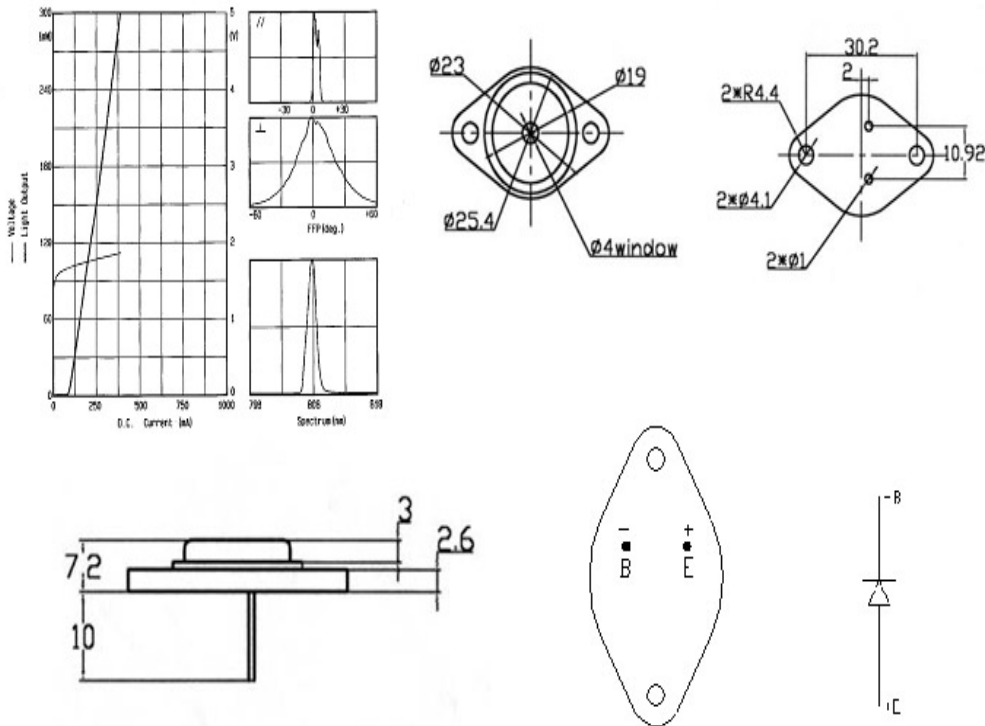


Specifications:

| Parameter | Value |
|---|---------------|
| | AL808T3000 |
| CW output power (mW) | 3000 |
| Peak wavelength (nm) | 808, 10 |
| Spectral width (nm) | - 5 |
| Threshold current (A) | - 1000 |
| Operating current (A) | - 3500 |
| Operating voltage (V) | - 2.2 |
| Slope efficiency (W/A) | . 1.0 |
| Beam divergence $\theta_0 \theta_1$ (deg.) | 12/40 |
| Wavelength temperature coefficient (nm/2) | 0.3 |
| Emitting area (μm) | 2000 1 |
| Serial resistance (\boxtimes) | - 0..25 |
| Lifetime(h) | 10000 |
| Package | TO-3, C-Mount |

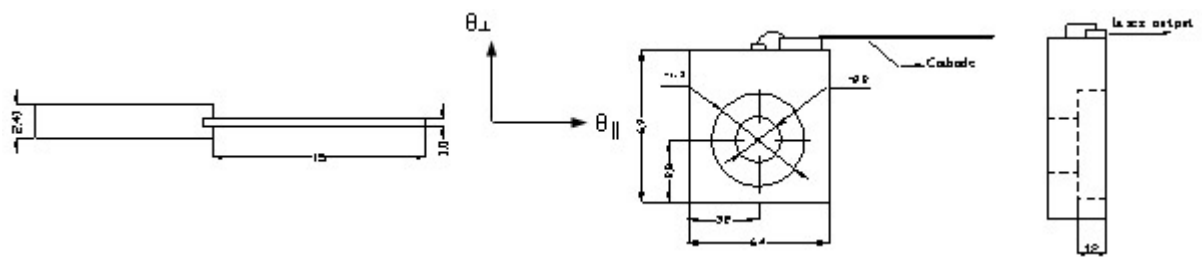
Wellco T&C Co., Ltd.

TO-3 Package(Unit: mm)



-Mount heat sink (Unit : mm! Heat sink(+))

C-Mount 1 (C)



C-Mount 2 (S)

