

Wellco T&C Co., Ltd.

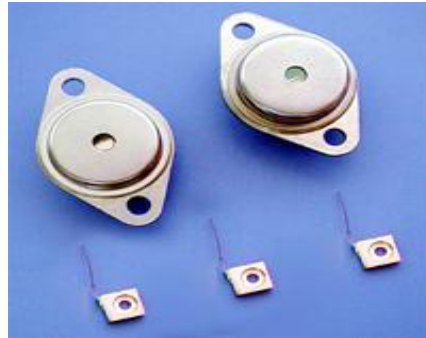
808 nm High-Power Laser Diode (AL0808T2000)

Features:

Output power: 2.0w(CW)
Variety of stripe width
Efficient quantum well structure

Application:

Solid-state laser pumping
Medical usage
Beacons and Illumination
Free-space communication
Infrared light sources

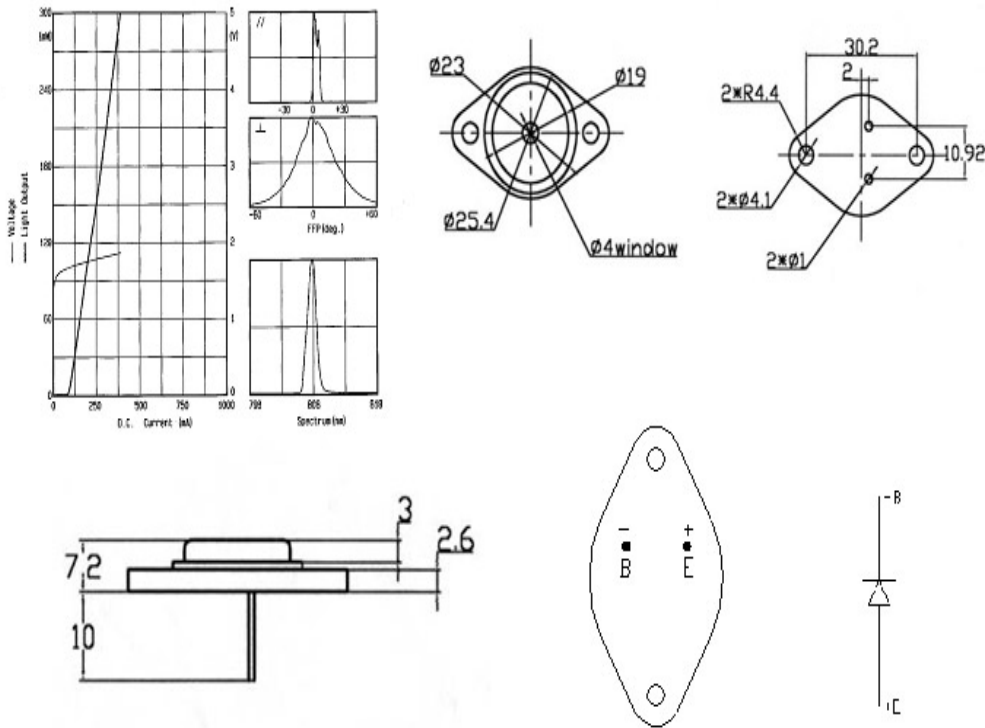


Specifications:

Parameter	Value
	AL808T2000
CW output power (mW)	2000
Peak wavelength (nm)	808, 10
Spectral width (nm)	- 5
Threshold current (A)	- 700
Operating current (A)	- 2800
Operating voltage (V)	- 2.2
Slope efficiency (W/A)	. 1.0
Beam divergence $\theta_0 \theta_1$ (deg.)	12/40
Wavelength temperature coefficient (nm/2)	0.3
Emitting area (μm)	2000 1
Serial resistance (Ω)	- 0..25
Lifetime(h)	10000
Package	TO-3, C-Mount

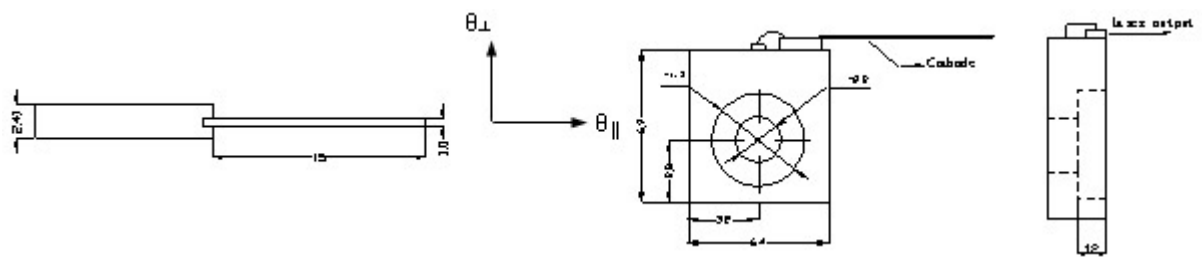
Wellco T&C Co., Ltd.

TO-3 Package(Unit: mm)



-Mount heat sink (Unit : mm! Heat sink(+))

C-Mount 1 (C)



C-Mount 2 (S)

