

Wellco T&C Co., Ltd.

808 nm High-Power Laser Diode (AL0808T1000)

Features:

Output power: 1.0w(CW)
Variety of stripe width
Efficient quantum well structure

Application:

Solid-state laser pumping
Medical usage
Beacons and Illumination
Free-space communication
Infrared light sources

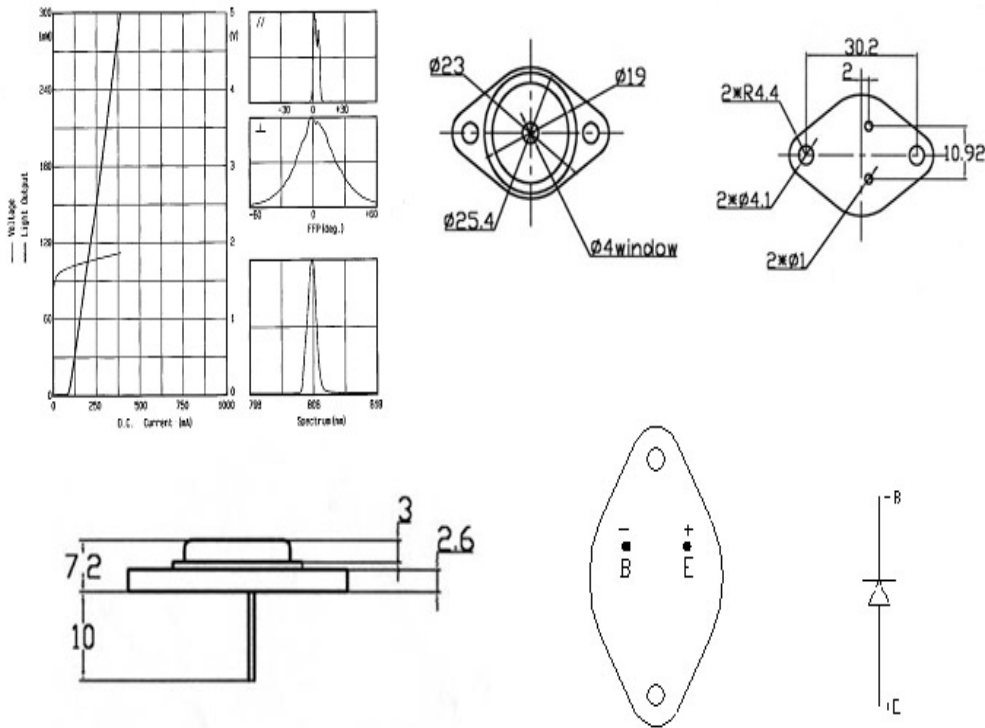


Specifications:

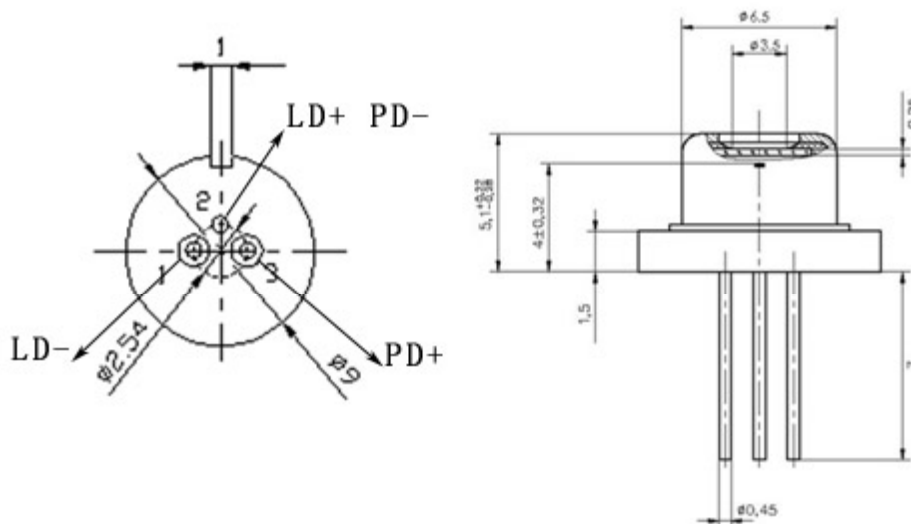
Parameter	Value
	AL808T1000
CW output power (mW)	1000
Peak wavelength (nm)	808, 10
Spectral width (nm)	- 5
Threshold current (A)	- 300
Operating current (A)	- 1400
Operating voltage (V)	- 2.2
Slope efficiency (W/A)	. 1.0
Beam divergence $\theta_0 \theta_1$ (deg.)	12/40
Wavelength temperature coefficient (nm/2)	0.3
Emitting area (μm)	1000 1
Serial resistance (Ω)	- 0..5
Lifetime(h)	10000
Package	TO-5, TO-3, C-Mount

Wellco T&C Co., Ltd.

TO-3 Package (Unit: mm)



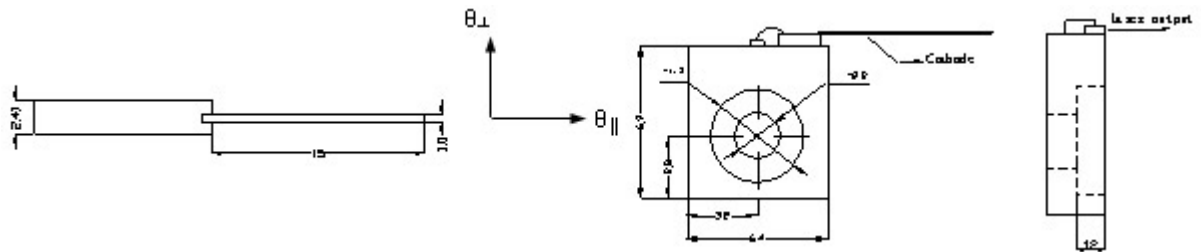
TO-5 Package (Unit: mm)



Wellco T&C Co., Ltd.

-Mount heat sink (Unit : mm! Heat sink(+))

C-Mount 1 (C)



C-Mount 2 (S)

