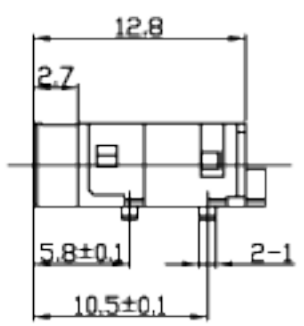
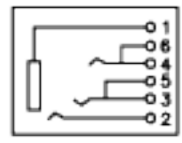
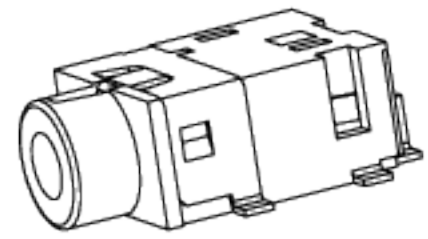
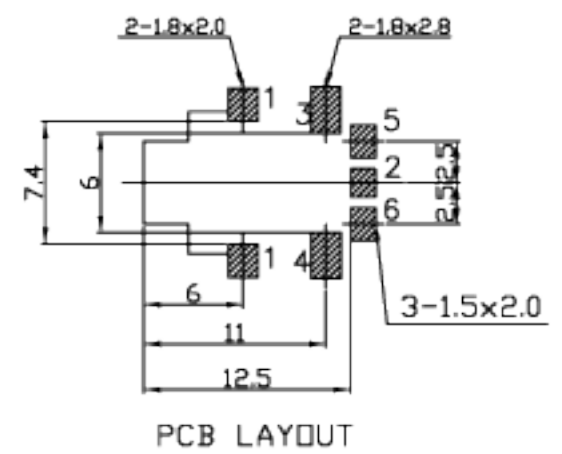
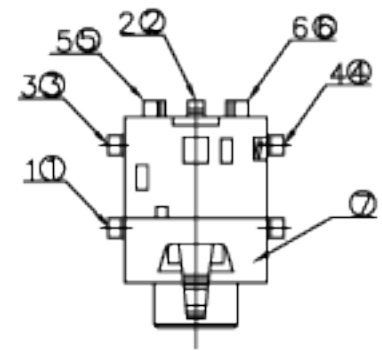
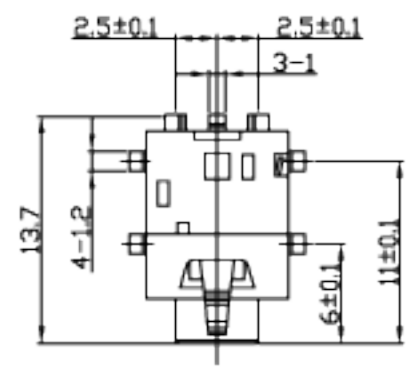
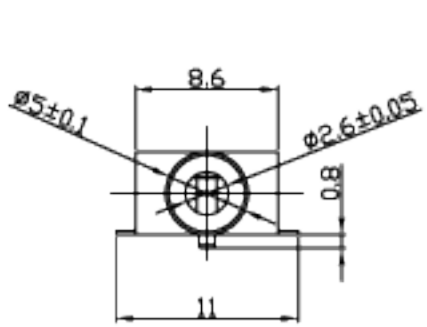


* REVISIONS				
LTR	DESCRIPTION	DATE	REVISED	APPROVED



**LEAD FREE**

6	HOUSING	1	PBT	
5	CONTACT FOOT	1	BRASS	MB:Cu Ag PLATED
4	CONTACT FOOT	1	BRONZE	MB:Cu Ag PLATED
3	CONTACT FOOT	1	BRONZE	MB:Cu Ag PLATED
2	CONTACT FOOT	1	BRONZE	MB:Cu Ag PLATED
1	CONTACT FOOT	1	BRASS	MB:Cu Ag PLATED

LTR	PART NAME	QTY	MATERIAL	REMARK
DSND	XIAO CUI	DATE	2007.01.01	3RD ANGLE PROJECTION
DWN	HU LUN	DATE	2007.01.01	
CHKD	GAO WEI	DATE	2007.01.01	
APVD	JACKY	DATE	2007.01.01	
			UNIT: mm	

T:1.6 Dimensions of PC board holes  
Tolerance : ±0.1(Printed-top view)

UNLESS OTHERWISE SPECIFIED, TOLERANCE ON DECIMAL: 0.1

**Wellco T&C Co., Ltd.**

NAME	MINIATURE JACK
CAT. NO.	
DWN.NO.	XRJ-025-33