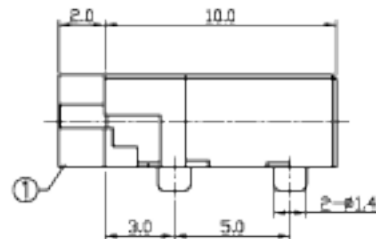
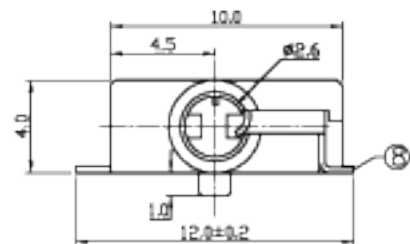
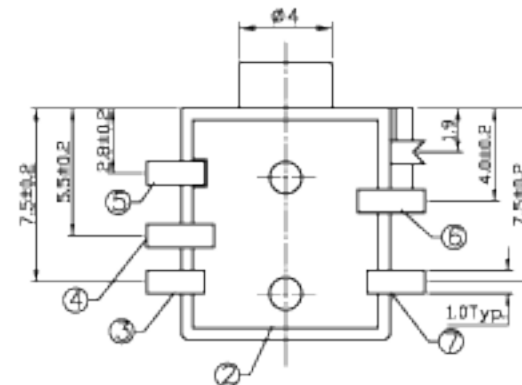
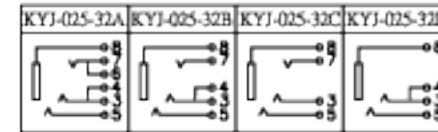


* REVISIONS

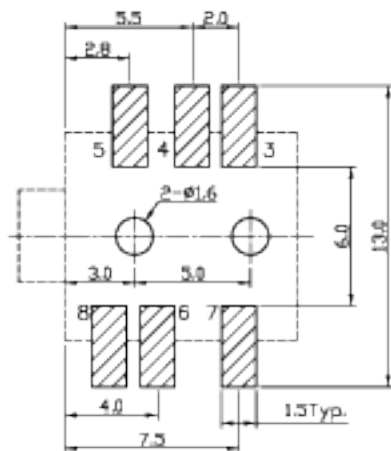
LTR	DESCRIPTION	DATE	REVISED	APPROVED



SCHMATIC



LEAD FREE



8	CONTACT FOOT	1	BRONZE	MB:Cu Ag PLATED
7	SPRING PIECE	1	SUS301	MB:Cu Ag PLATED
6	CURVE PIECE	1	BRASS	MB:Cu Ag PLATED
5	CONTACT FOOT	1	BRONZE	MB:Cu Ag PLATED
4	CURVE PIECE	1	BRASS	MB:Cu Ag PLATED
3	SPRING PIECE	1	SUS301	MB:Cu Ag PLATED
2	COVER	1	PA9T	
1	HOUSING	1	PA9T	

LTR	PART NAME	QTY	MATERIAL	REMARK
DSND	XIAO CUI	DATE	2007.01.01	NAME MINIATURE JACK CAT. NO.
DWN	HU LUN	DATE	2007.01.01	
CHKD	GAO WEI	DATE	2007.01.01	
APVD	JACKY	DATE	2007.01.01	
			3RD ANGLE PROJECTION	
			UNIT: mm	

T:1.6 Dimensions of PC board holes
Tolerance : ±0.1(Printed-top view)

UNLESS OTHERWISE SPECIFIED, TOLERANCE ON DECIMAL: 0.1

Wellco T&C Co., Ltd.

DWN.NO. XRJ-025-32 001