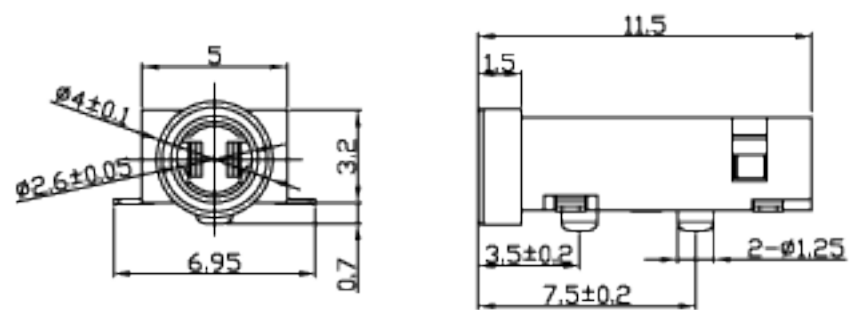
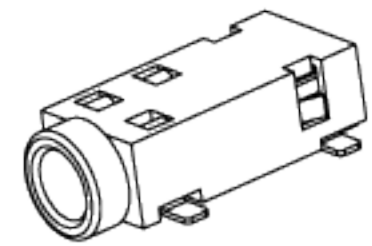
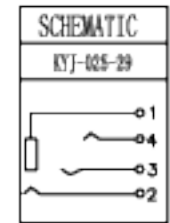
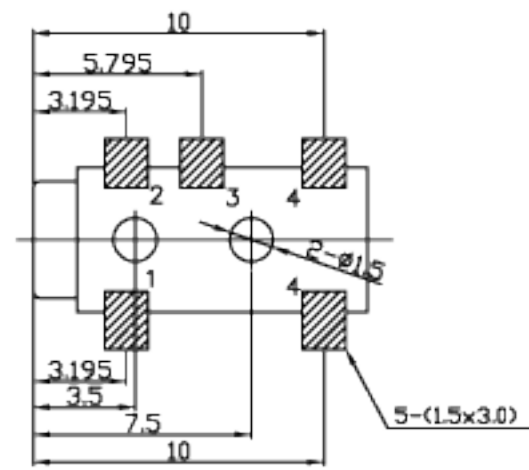
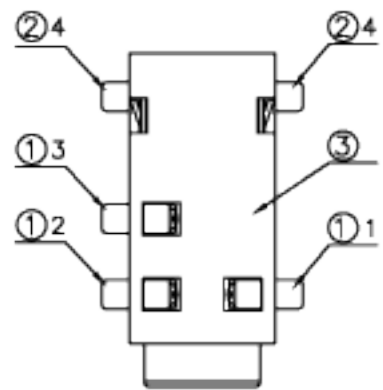
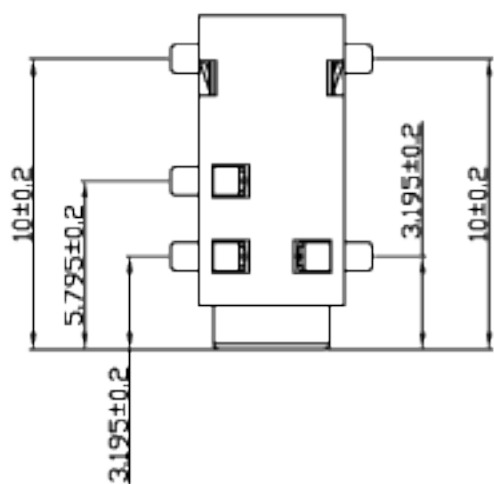


* REVISIONS				
LTR	DESCRIPTION	DATE	REVISED	APPROVED



LEAD FREE

3	HOUSING	1	FR52	
2	2#CONTACT FOOT	1	PHOSPHOR BRONZE	WB:Cu Au PLATED
1	1#CONTACT FOOT	1	PHOSPHOR BRONZE	WB:Cu Au PLATED
LTR	PART NAME	QTY	MATERIAL	REMARK
DSND	XIAO CUI	DATE	2006.11.13	3RD ANGLE PROJECTION
DWN	HU LUN	DATE	2006.11.13	
CHKD	GAO WEI	DATE	2006.11.13	
APVD	JACKY	DATE	2006.11.13	
				UNIT: DIM
				NAME
				MINIATURE JACK
				CAT NO.
				DWN. NO.
				XL-025-29

T:1.6 Dimensions of PC board holes

Tolerance : ±0.1(Printed-top view)

UNLESS OTHERWISE SPECIFIED, TOLERANCE ON DECIMAL: 0.1

Wellco T&C Co., Ltd.

001