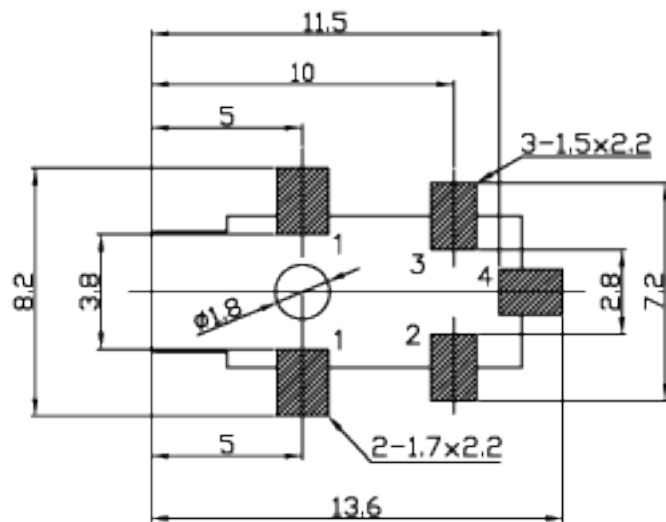
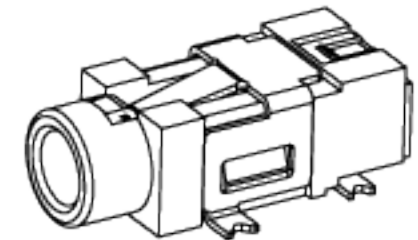
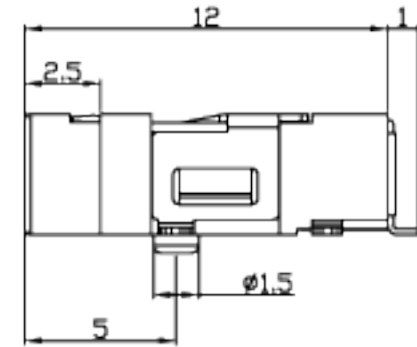
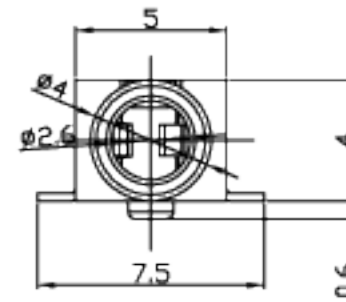
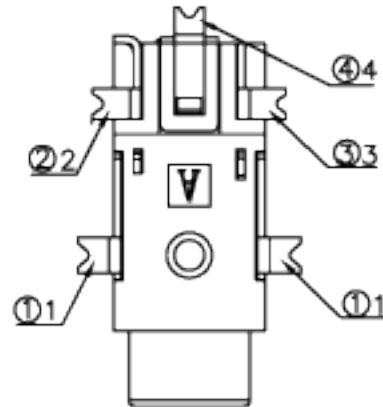
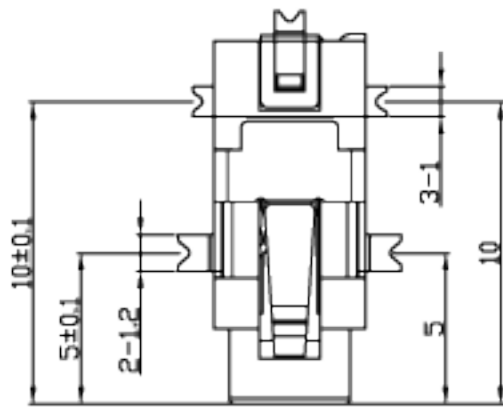


* REVISIONS

LTR	DESCRIPTION	DATE	REVISED	APPROVED



T:1.6 Dimensions of PC board holes

Tolerance : ±0.1(Printed-top view)

UNLESS OTHERWISE SPECIFIED, TOLERANCE ON DECIMAL: 0.1

LEAD FREE

5	HOUSING	1	FR52	
4	4#CONTACT FOOT	1	BRASS	MB:Cu Au PLATED
3	3#CONTACT FOOT	1	PHOSPHOR BRONZE	MB:Cu Au PLATED
2	2#CONTACT FOOT	1	PHOSPHOR BRONZE	MB:Cu Au PLATED
1	1#CONTACT FOOT	1	PHOSPHOR BRONZE	MB:Cu Au PLATED

LTR	PART NAME	QTY	MATERIAL	REMARK
DSND	XIAO CUI	DATE	2006.11.13	3RD ANGLE PROJECTION
DWN	HU LUN	DATE	2006.11.13	
CHKD	GAO WEI	DATE	2006.11.13	
APVD	JACKY	DATE	2006.11.13	

Wellco T&C Co., Ltd.

NAME MINIATURE JACK

CAT NO.

DWN NO.

XL-025-27