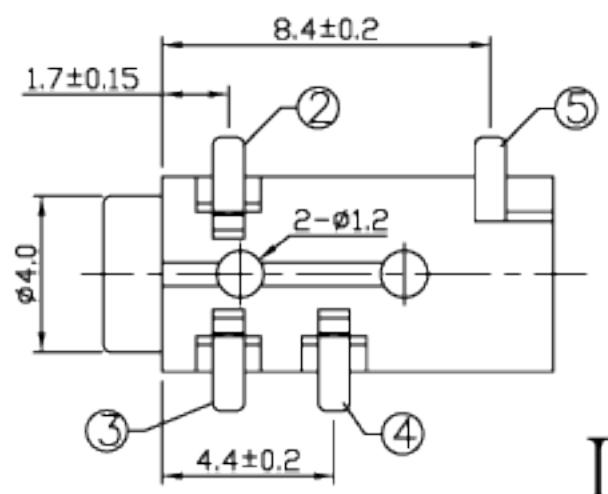
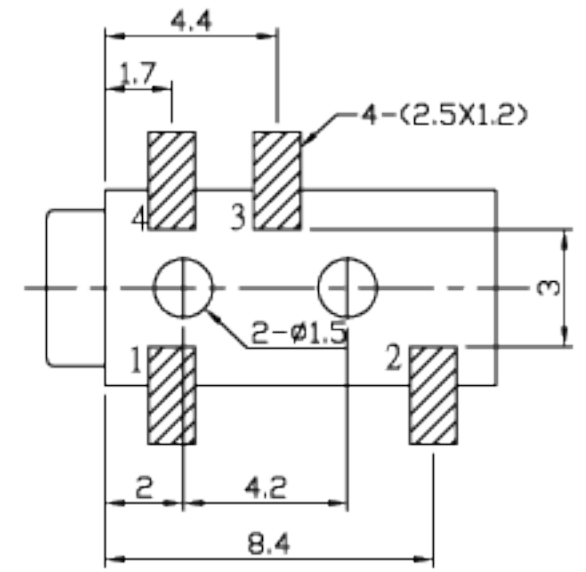
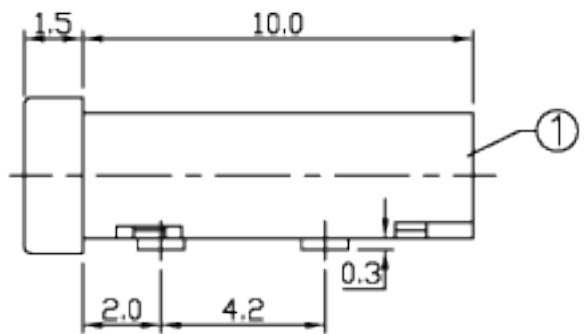
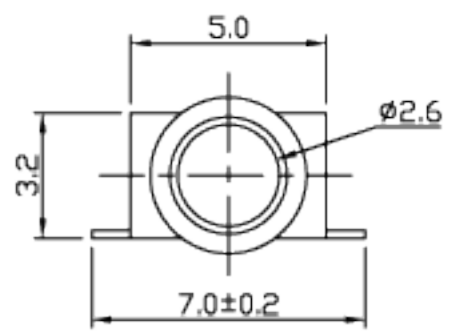
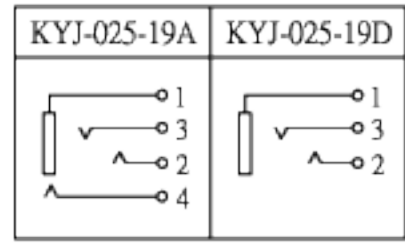


* REVISIONS				
LTR	DESCRIPTION	DATE	REVISED	APPROVED



T:1.6 Dimensions of PC board holes
Tolerance : ±0.1(Printed-top view)

LEAD FREE



5	SPRING	1	BRASS	MB:Cu Au(Ag) PLATED
4	CONTACT FOOT	1	BRASS	MB:Cu Au(Ag) PLATED
3	CONTACT FOOT	1	PHOSPHOR BRONZE	MB:Cu Au(Ag) PLATED
2	CONTACT FOOT	1	PHOSPHOR BRONZE	MB:Cu Au(Ag) PLATED
1	HOUSING	1	PA9T	
LTR	PART NAME	QTY	MATERIAL	REMARK
DSND	XIAO CUI	DATE	2006.02.13	NAME MINIATURE JACK CAT. NO. DWN.NO.
DWN	HU LUN	DATE	2006.02.13	
CHKD	GAO WEI	DATE	2006.02.13	
APVD	JACKY	DATE	2006.02.13	
			UNIT: mm	

UNLESS OTHERWISE SPECIFIED, TOLERANCE ON DECIMAL: ±0.2

Wellco T&C Co., Ltd.

XRJ-025-19 001