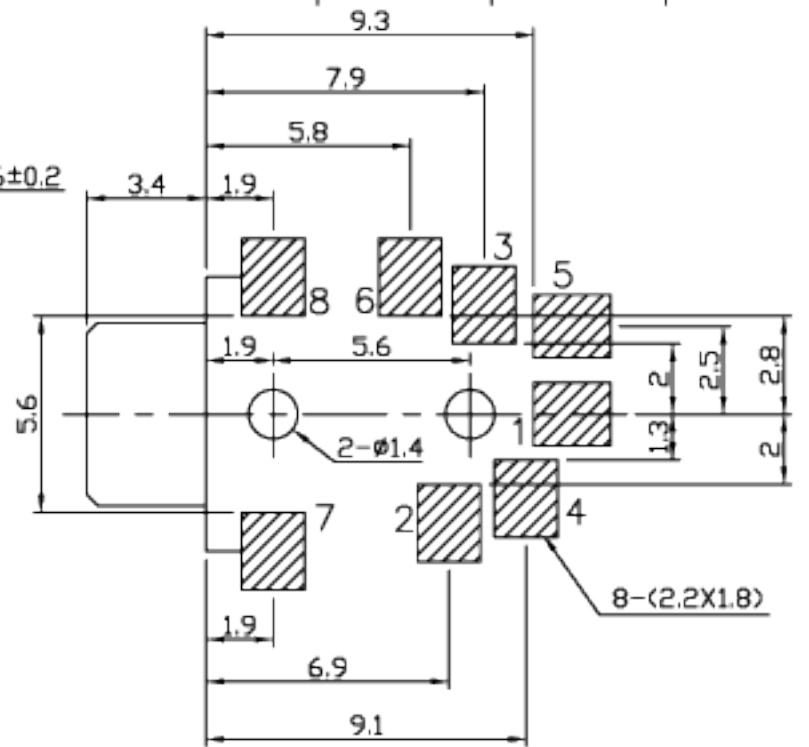
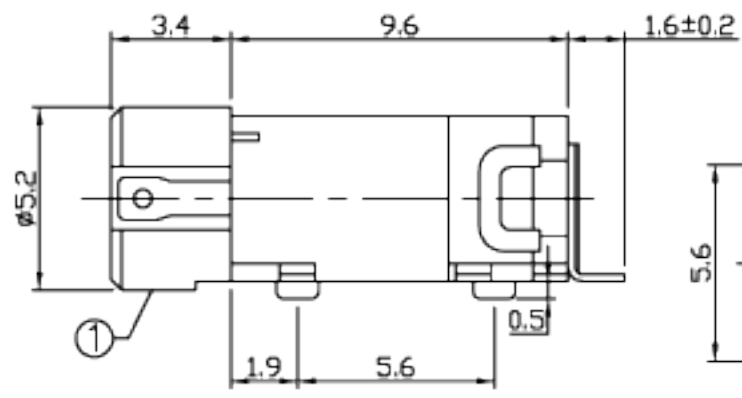
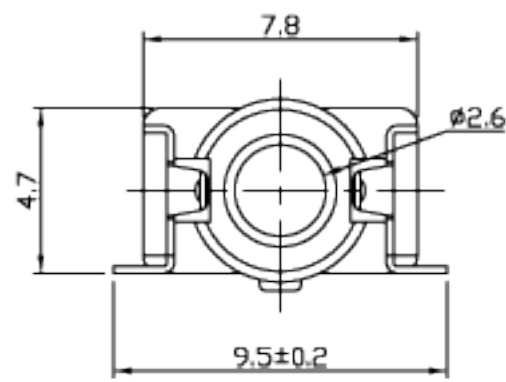
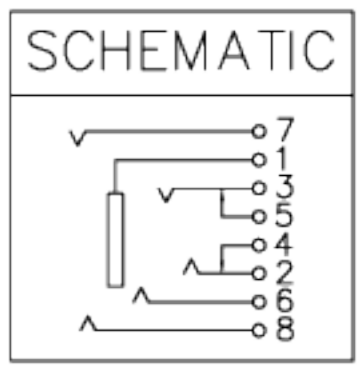
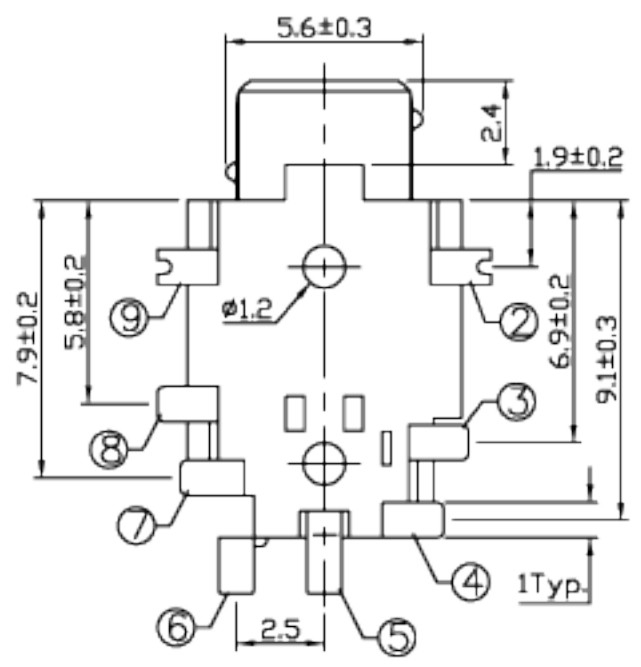


* REVISIONS				
LTR	DESCRIPTION	DATE	REVISED	APPROVED



T:1.6 Dimensions of PC board holes  
Tolerance : ±0.1(Printed-top view)



**LEAD FREE**

QTY	PART NAME	MATERIAL	REMARK
1	CONTACT FOOT	PHOSPHOR BRONZE	MB:Cu Au PLATED
1	CONTACT FOOT	PHOSPHOR BRONZE	MB:Cu Ag PLATED
1	SPRING PIECE	PHOSPHOR BRONZE	MB:Cu Ag PLATED
1	CURVE PIECE	BRASS	MB:Cu Ag PLATED
1	CONTACT FOOT	PHOSPHOR BRONZE	MB:Cu Ag PLATED
1	CURVE PIECE	BRASS	MB:Cu Ag PLATED
1	SPRING PIECE	PHOSPHOR BRONZE	MB:Cu Ag PLATED
1	CONTACT FOOT	PHOSPHOR BRONZE	MB:Cu Au PLATED
1	HOUSING	PA9T	

LTR	PART NAME	QTY	MATERIAL	REMARK
DSND	XIAO CUI	DATE	2005.02.13	NAME <b>MINIATURE JACK</b> CAT. NO. DWN.NO.
DWN	HU LUN	DATE	2005.02.13	
CHKD	GAO WEI	DATE	2005.02.13	
APVD	JACKY	DATE	2005.02.13	
			UNIT: mm	

UNLESS OTHERWISE SPECIFIED, TOLERANCE ON DECIMAL: ±0.2

Wellco T&C Co., Ltd.

DWN.NO. XRJ-025-17 001