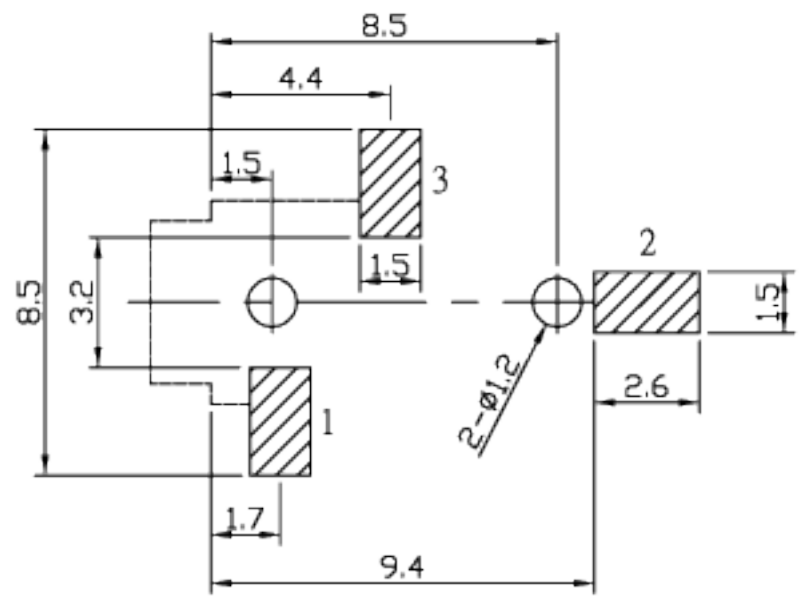
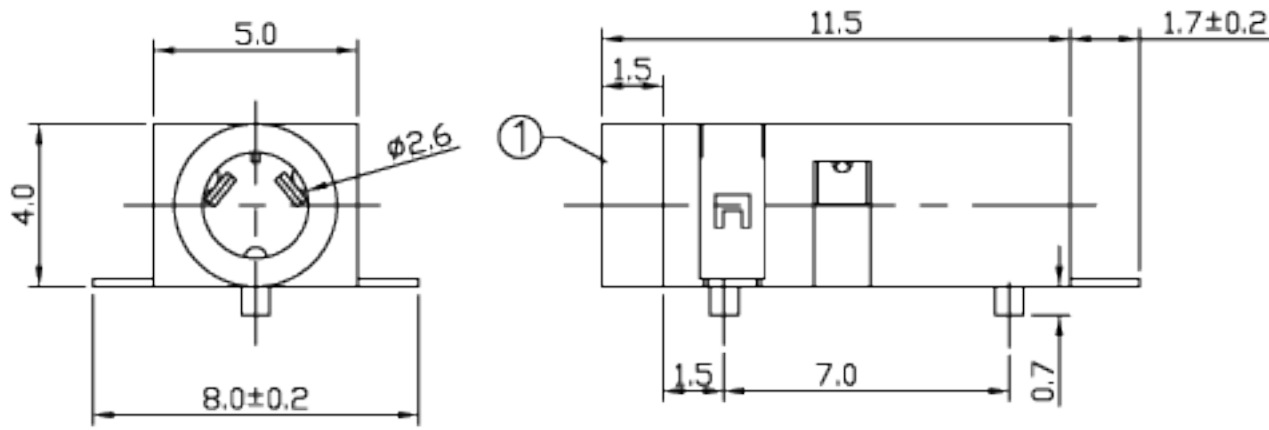
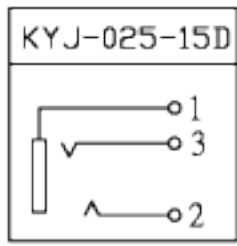
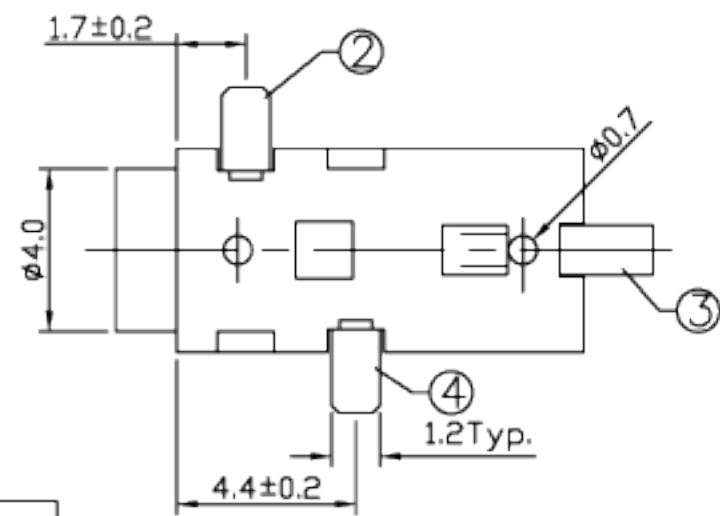


* REVISIONS				
LTR	DESCRIPTION	DATE	REVISED	APPROVED



T:1.6 Dimensions of PC board holes
Tolerance : ±0.1(Printed-top view)



UNLESS OTHERWISE SPECIFIED, TOLERANCE ON DECIMAL: ±0.2

LEAD FREE

4	SPRING PIECE	1	PHOSPHOR BRONZE	MB:Cu Ag PLATED
3	SPRING PIECE	1	PHOSPHOR BRONZE	MB:Cu Ag PLATED
2	SPRING PIECE	1	PHOSPHOR BRONZE	MB:Cu Ag PLATED
1	HOUSING	1	PA9T	
LTR	PART NAME	QTY	MATERIAL	REMARK
DSND	XIAO CUI	DATE	2006.02.13	NAME MINIATURE JACK CAT. NO. DWN.NO. XRJ-025-15 001
DWN	HU LUN	DATE	2006.02.13	
CHKD	GAO WEI	DATE	2006.02.13	
APVD	JACKY	DATE	2006.02.13	
Wellco T&C Co., Ltd.				UNIT: mm