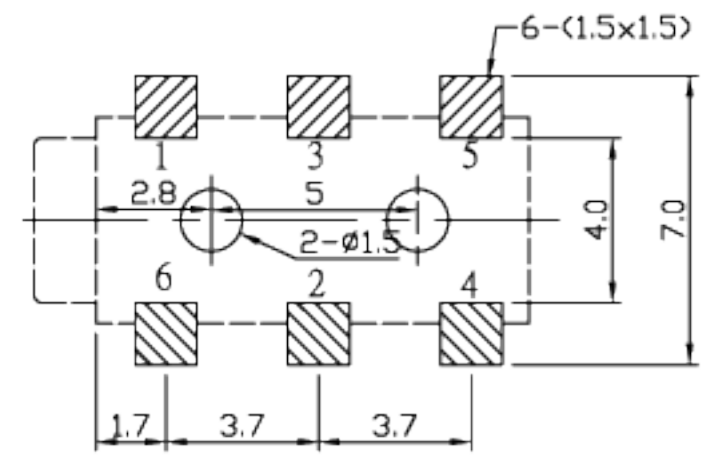
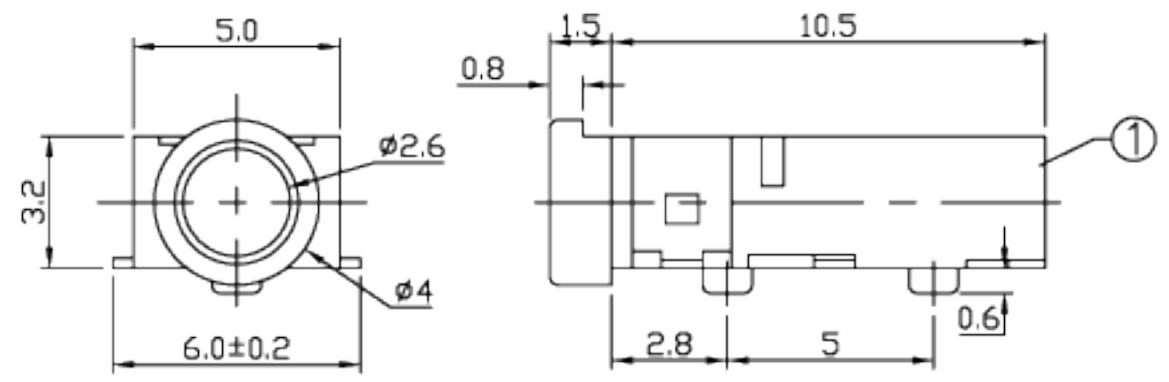
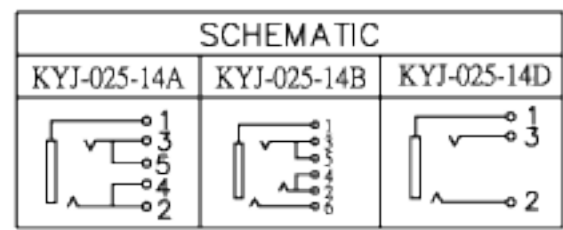
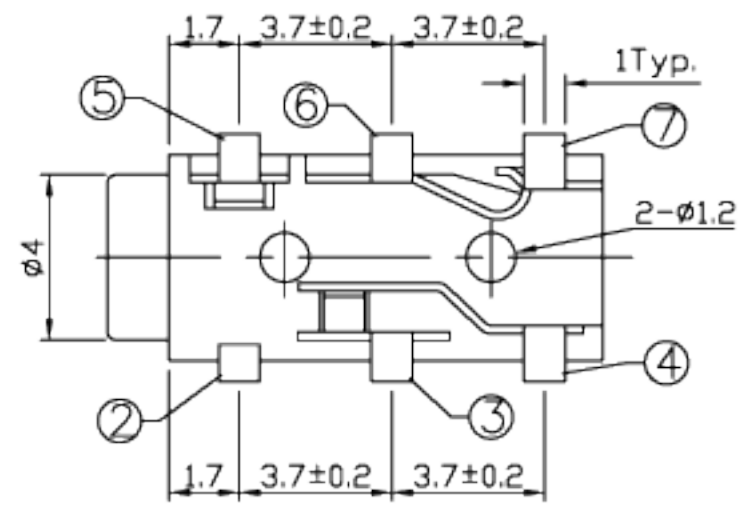


* REVISIONS				
LTR	DESCRIPTION	DATE	REVISED	APPROVED



T:1.6 Dimensions of PC board holes
Tolerance : ±0.1(Printed-top view)



UNLESS OTHERWISE SPECIFIED, TOLERANCE ON DECIMAL: ±0.2

LEAD FREE

7	CURVE PIECE	1	BRASS	MB:Cu Au PLATED
6	SPRING	1	BRONZE	MB:Cu Au PLATED
5	CONTACT FOOT	1	BRONZE	MB:Cu Au PLATED
4	CURVE PIECE	1	BRASS	MB:Cu Au PLATED
3	SPRING	1	BRONZE	MB:Cu Au PLATED
2	CONTACT FOOT	1	BRONZE	MB:Cu Au PLATED
1	HOUSING	1	PAGT	

LTR	PART NAME	QTY	MATERIAL	REMARK
DSND	XIAO CUI	DATE	2004.11.17	3RD ANGLE PROJECTION
DWN	HU LUN	DATE	2004.11.17	
CHKD	GAO WEI	DATE	2004.11.17	
APVD	JACKY	DATE	2004.11.17	
UNIT: mm				NAME
				MINIATURE JACK
				CAT. NO
				DWN.NO.

Wellco T&C Co., Ltd.

XRJ-025-14 001