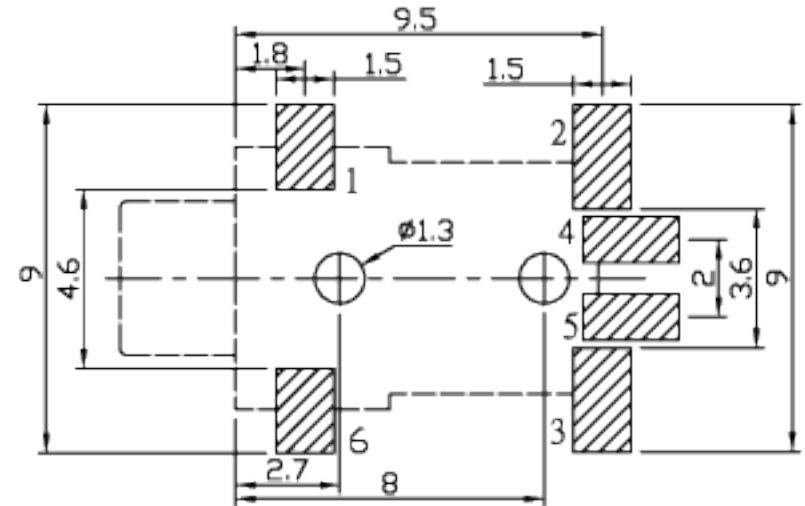
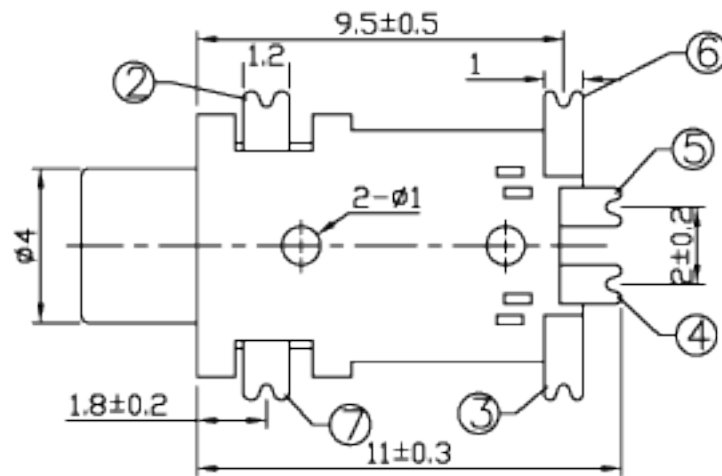
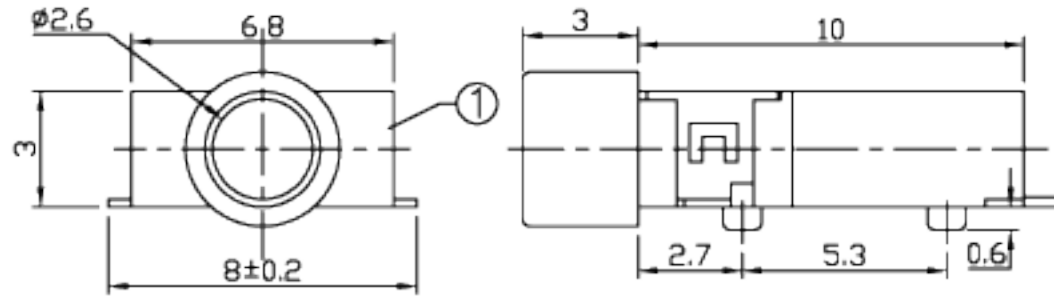
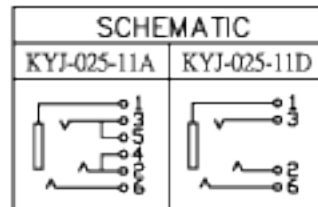


| * REVISIONS | | | | |
|-------------|-------------|------|---------|----------|
| LTR | DESCRIPTION | DATE | REVISED | APPROVED |
| | | | | |



T:1.6 Dimensions of PC board holes
Tolerance : ±0.1(Printed-top view)



LEAD FREE

| 7 | CONTACT FOOT | 1 | PHOSPHOR BRONZE | MB:Cu Ag | PLATED |
|------|--------------|------|-----------------|-------------------------|------------------------|
| 6 | SPRING PIECE | 1 | PHOSPHOR BRONZE | MB:Cu Ag | PLATED |
| 5 | CONTACT FOOT | 1 | BRASS | MB:Cu Ag | PLATED |
| 4 | CONTACT FOOT | 1 | BRASS | MB:Cu Ag | PLATED |
| 3 | SPRING PIECE | 1 | PHOSPHOR BRONZE | MB:Cu Ag | PLATED |
| 2 | CONTACT FOOT | 1 | PHOSPHOR BRONZE | MB:Cu Ag | PLATED |
| 1 | HOUSING | 1 | PA9T | | |
| LTR | PART NAME | QTY | MATERIAL | REMARK | |
| DSND | XIAO CUI | DATE | 2006.02.13 | 3RD ANGLE PROJECTION | NAME MINIATURE JACK |
| DWN | HU LUN | DATE | 2006.02.13 | | |
| CHKD | GAO WEI | DATE | 2006.02.13 | | |
| APVD | JACKY | DATE | 2006.02.13 | | |
| | | | UNIT: mm | | CAT. NO. |
| | | | | | DWN.NO. |
| | | | | | XRJ-025-11 |
| | | | | | 001 |

UNLESS OTHERWISE SPECIFIED, TOLERANCE ON DECIMAL: ±0.2

Wellco T&C Co., Ltd.