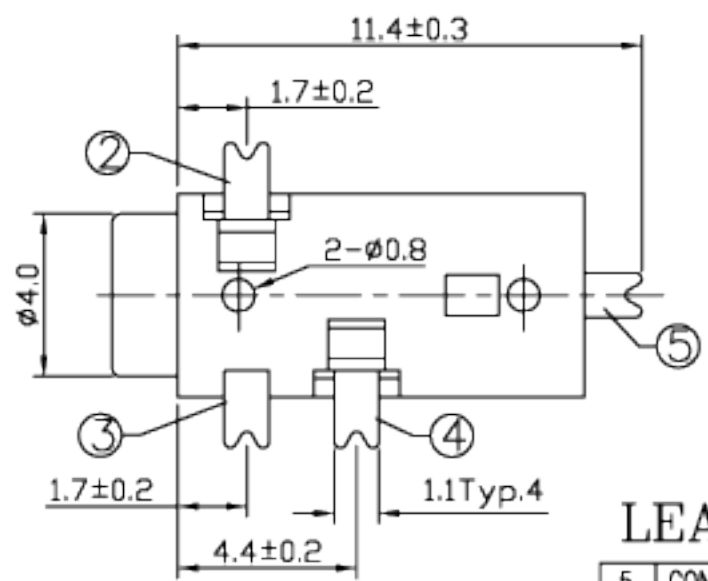
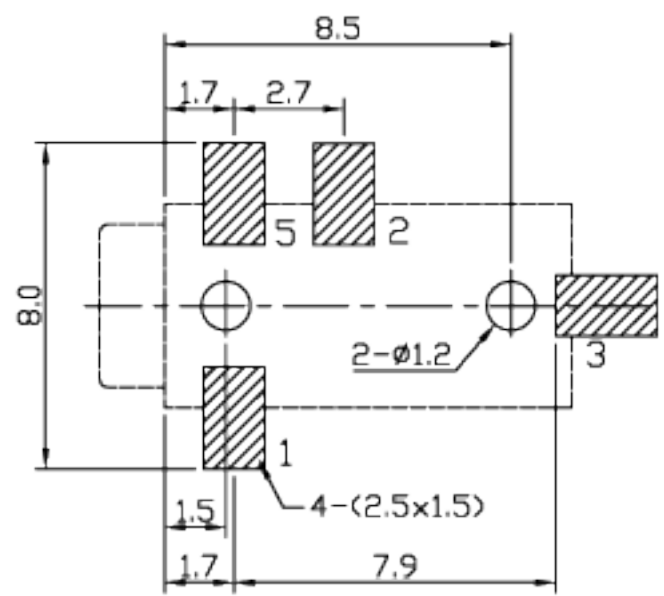
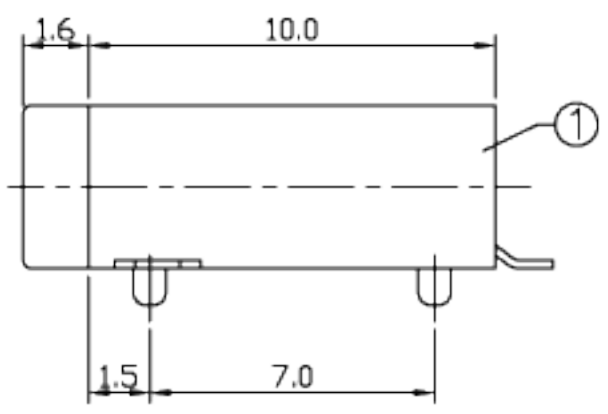
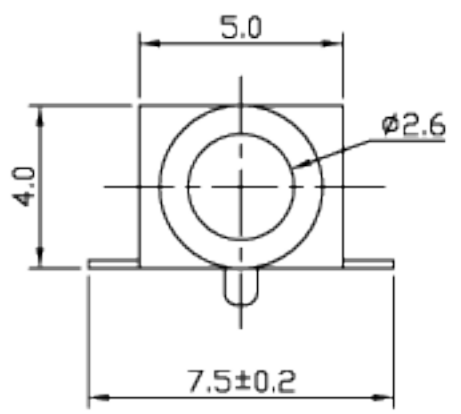
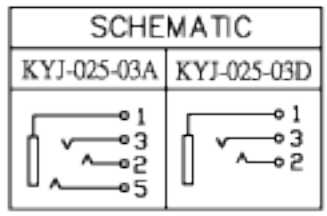


* REVISIONS				
LTR	DESCRIPTION	DATE	REVISED	APPROVED



T:1.6 Dimensions of PC board holes
Tolerance : ±0.1(Printed-top view)



LEAD FREE

5	CONTACT FOOT	1	PHOSPHOR BRONZE	MB:Cu Ag	PLATED
4	SPRING PIECE	1	PHOSPHOR BRONZE	MB:Cu Ag	PLATED
3	CONTACT FOOT	1	PHOSPHOR BRONZE	MB:Cu Ag	PLATED
2	SPRING PIECE	1	PHOSPHOR BRONZE	MB:Cu Ag	PLATED
1	HOUSING	1	PA9T		
LTR	PART NAME	QTY	MATERIAL	REMARK	
DSND	XIAO CUI	DATE	2005.02.13	3RD ANGLE PROJECTION	NAME MINIATURE JACK
DWN	HU LUN	DATE	2005.02.13		
CHKD	GAO WEI	DATE	2005.02.13		
APVD	JACKY	DATE	2005.02.13		
			UNIT: mm		CAT. NO.
					DWN.NO.

UNLESS OTHERWISE SPECIFIED, TOLERANCE ON DECIMAL: ±0.2

Wellco T&C Co., Ltd.

XRJ-025-03 001