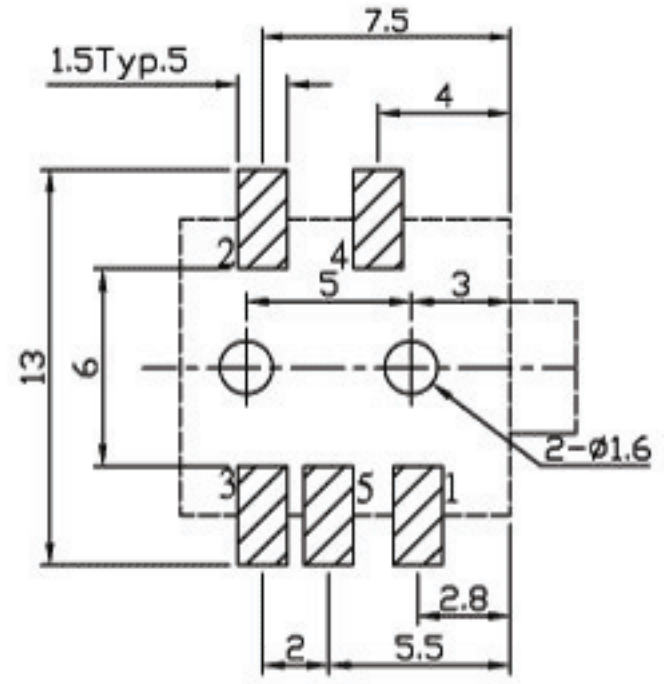
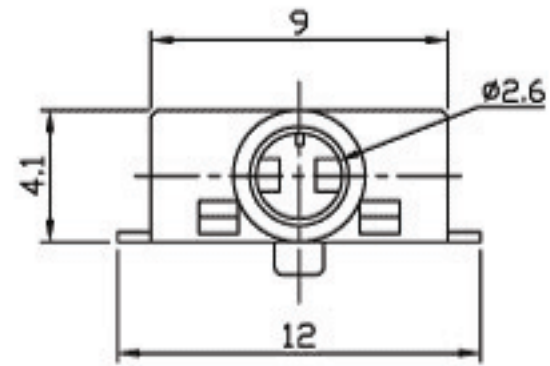
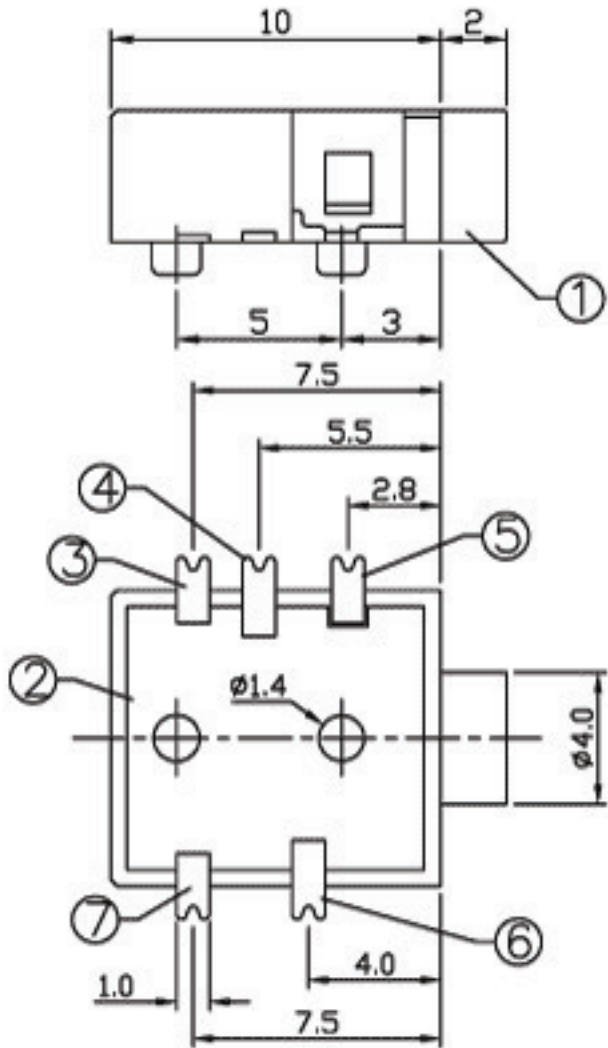


* REVISIONS				
LTR	DESCRIPTION	DATE	REVISED	APPROVED



T:1.6 Dimensions of PC board holes
Tolerance : ±0.1(Printed-top view)

LEAD FREE

SCHEMATIC			
KYJ-025-01A	KYJ-025-01B	KYJ-025-01D	KYJ-025-01I

7	SPRING PIECE	1	PHOSPHOR BRONZE	MB:Cu Ag	PLATED
6	CURVE PIECE	1	BRASS	MB:Cu Ag	PLATED
5	CONTACT	1	PHOSPHOR BRONZE	MB:Cu Ag	PLATED
4	FOOT	1	BRASS	MB:Cu Ag	PLATED
3	SPRING PIECE	1	PHOSPHOR BRONZE		
2	COVER	1	FR52		
1	HOUSING	1	FR52		
LTR	PART NAME	QTY	MATERIAL	REMARK	
DSND	XIAO CUI	DATE	2005.02.13	3RD ANGLE PROJECTION	NAME MINIATURE JACK
DWN	HU LUN	DATE	2005.02.13		
CHKD	GAO WEI	DATE	2005.02.13		
APVD	JACKY	DATE	2005.02.13		
				UNIT: mm	CAT. NO.
					DWN.NO. XL-025-01

UNLESS OTHERWISE SPECIFIED, TOLERANCE ON DECIMAL: ±0.2

Wellco T&C Co., Ltd.

001