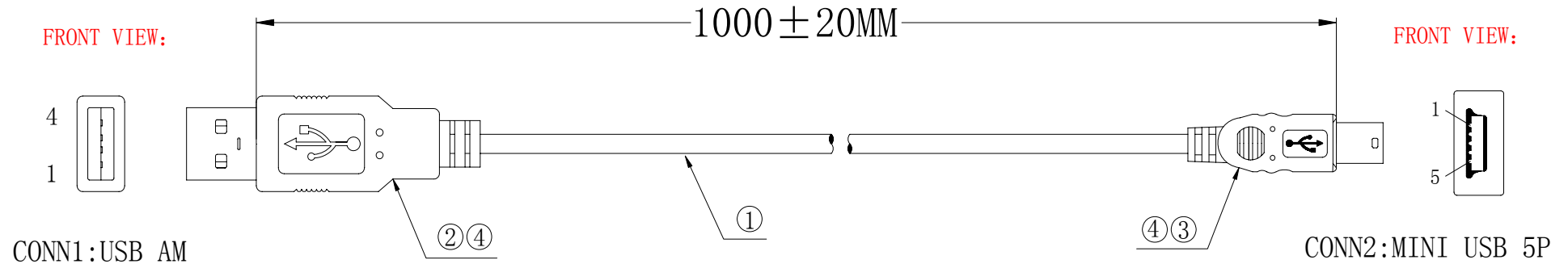


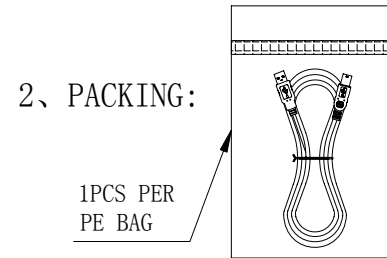
USBAM/MINI USB 5PIN M, OD:2.7MM
L=1000MM BLACK.

| NO. | DRW | DATE | REV | NOTE |
|-----|------------|------------|-----|-----------------|
| 1 | ZhouYiJuan | 2009/04/06 | A/A | Initial Drawing |
| 2 | | | | |



1. WIRING:

| CONN1 | CONN2 |
|---------|----------|
| 1 ----- | 1 RED |
| 2 ----- | 2 WHITE |
| 3 ----- | 3 ORANGE |
| 4 ----- | 5 BLACK |
| G ----- | G DRAIN |



| NO. | PART NO. | DESCRIPTION | Q' TY | UNIT |
|-----|-----------|--|-------|------|
| 1 | CABLE | 28AWG*4C+D, OD:2.7MM. COLOR: BLACK, L=1000MM. | 1 | PC |
| 2 | CONNECTER | USB AM , WHITE INSULATION , SHELL NICKEL PLATED WITH SOLDER. | 1 | PC |
| 3 | CONNECTER | MINI 5P MALE, SHELL NICKEL PLATED WITH SOLDER. | 1 | PC |
| 4 | PVC | 45P PVC , COLOR:BLACK | 1 | 10g |

Wellco T&C Co., Ltd.

| | | | | | | | |
|-----------|------------|---------|----------------------|----------|-----|------|----|
| CUST OMER | | DATE | | PAGE | 1/1 | | |
| DRW | ZhouYiJuan | PRODUCT | USB AM/MINI USB 5PIN | RATIO | 1:1 | | |
| CHECK | | SCAL | | REV | A | UNIT | mm |
| APP | | DATE | 2009/04/06 | Draw NO. | | | |