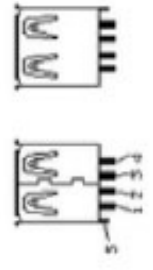
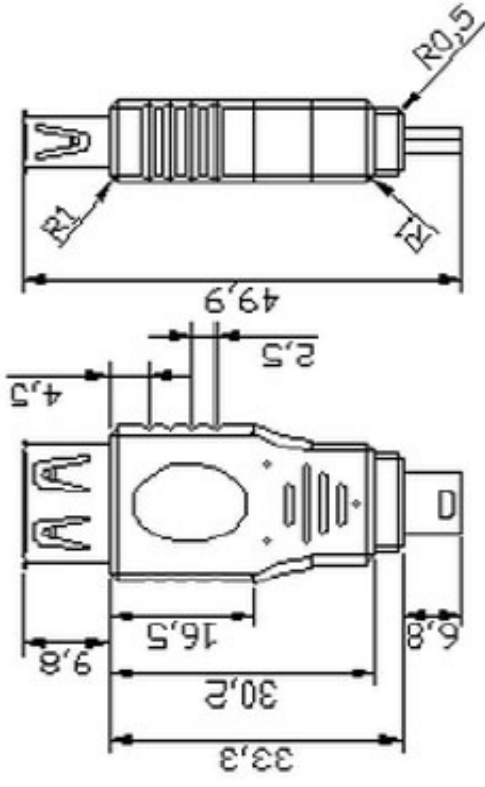
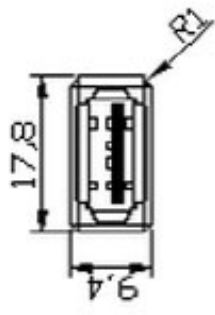
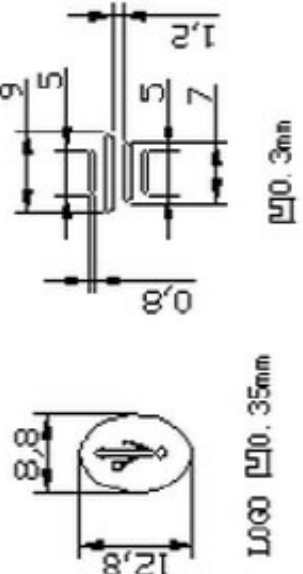
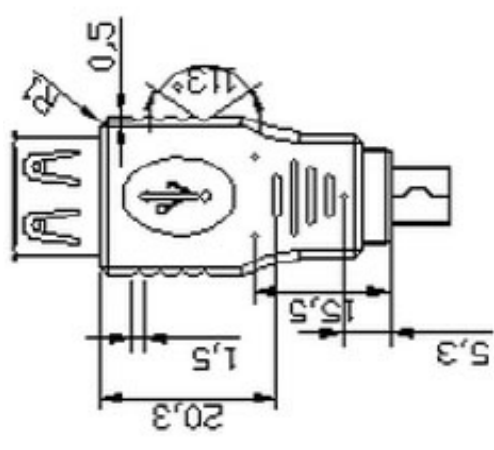


RoHS Compatible

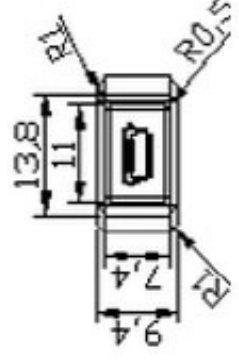
MAK.	QUA.	Description	REV.	DRW.
A				
B				




A母 2.0
USB 5P公 2.0

- 1 _____
- 2 _____
- 3 _____
- 4 _____
- 5 _____
- 6 地线

USB A母 2.0 转 USB 5P公 2.0 连线方式



 <p>Wellco T&C Co., Ltd.</p>	Gen.Tolerance	Scale	Not	P/N # A2509 mini USB BM - USB AF Adaptor	This spec drawing is under the property of Wellco T&C Co., Ltd.	Rev. A	DRW by	Amy July 23 2008
	.X ± 0.20	Unit	mm			CHK by	Long July 24 2008	
.XX ± 0.08	Size	mm	APP by			Page 1-1	Chin July 24 2008	
.XXX ± 0.05								
∠±1°								