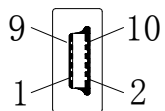




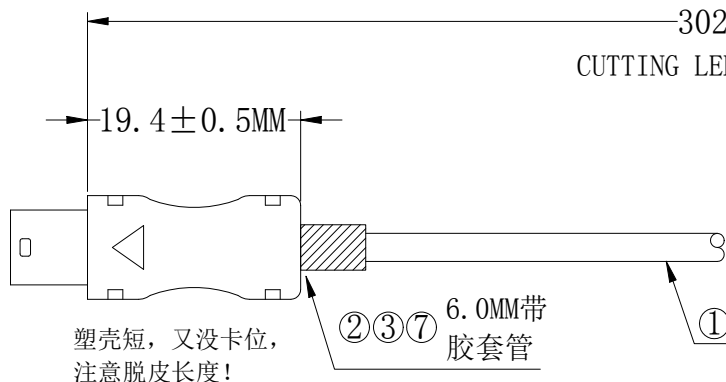
MINI 10P M/PITCH 1.0MM 1*10P, L=3020MM

NO.	DRW	DATE	REV	NOTE
1	Rain	2015/07/31	A	
2				

FRONT VIEW:



CONN1: MINI USB 10P MALE



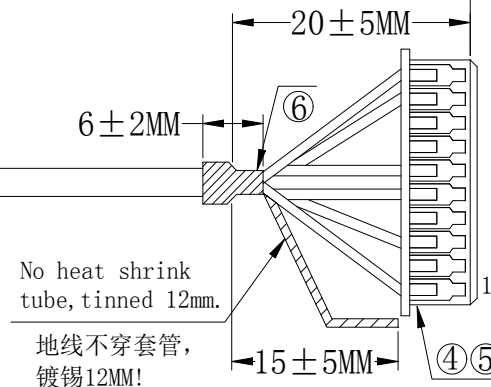
塑壳短，又没卡位，注意脱皮长度！

6.0MM带胶套管

NOTE:

CABLE ELECTRICAL TEST:

1. 100% OPEN SHORT & MISS WIRE TEST;
2. INSULATION RESISTANCE: 10Mohm MIN.
3. CONDUCTOR RESISTANCE: 3 ohm MAX.
4. ALL MATERIAL & COMPONENTS ARE RoHS LISTED.



No heat shrink tube, tinned 12mm.

地线不穿套管，镀锡12MM!

FRONT VIEW:

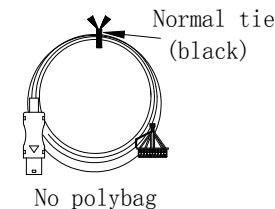


CONN2: PITCH 1.0MM 1*10P

1. Wiring:

CONN1	CONN2
1 --- BLACK 黑	6
2 --- BROWN 棕	10
3 --- RED 红	5
7 --- ORANGE 橙	3
8 --- YELLOW 黄	9
9 --- GREEN 绿	1
SH --- DRAIN 地	TINNED 12MM

2. Packing:



200 pcs in one polybag

7	8	G	SR	BLACK ADHESIVE TUBE, L=10MM, ID=6.0MM.
6	1	PC	H. S. TUBE	COLOR:BLACK, L=6MM, ID=4.0MM.
5	6	PC	TERMINAL	PITCH 1.0MM TERMINAL, 28#-32#, (KR P/N:KR1000-TP).
4	1	PC	HOUSING	PITCH 1.0MM 1*10P, COLOR:NATURE, (KR P/N:KR1000H-10P).
3	1	SET	HOUSING	COLOR:BLACK, ASSEMBLY HOUSING.
2	1	PC	CONNECTOR	MINI USB 10P MALE, BLACK INSULATOR, SHELL: NICKEL PLATED
1	1	PC	CABLE	UL2725 (80° C 300V) 30# (SR-PVC)*6C+AL +B+D, OD:4.0MM, L=3020MM, COLOR:BLACK.
NO.	Q' TY	UNIT	ITEM.	DESCRIPTION

Wellco T&C Co., Ltd.

CUSTOMER		CUSTOMER P/N		PAGE	1/1		
DRW	Rain	DESCRIPTION	MINI 10P/PITCH 1.0MM 10P	RATIO	N/A		
CHECK		SCALE	N/A	REV	A	UNIT	mm
APP		DATE	2015/07/31	Draw NO.	QXH-WEL-2191		