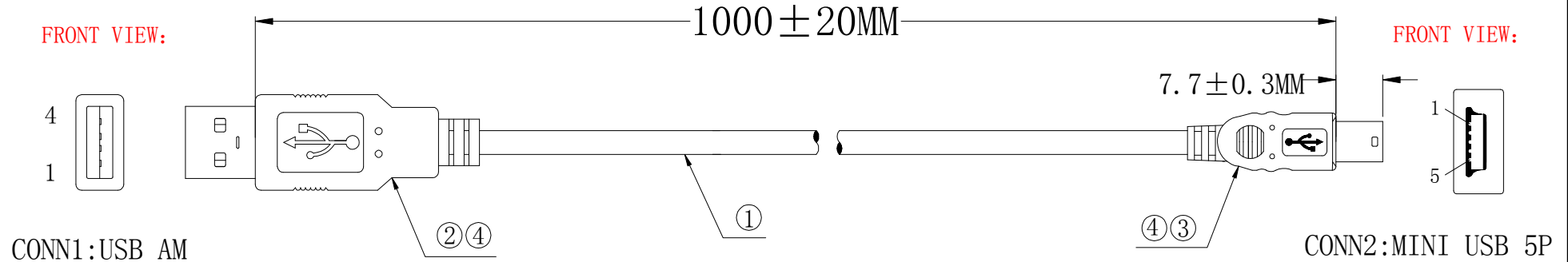


USB AM/MINI USB 5PIN M, OD:4.0MM
L=1000MM BLACK.

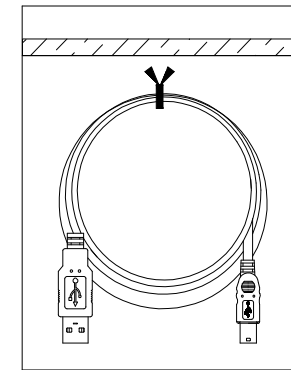
NO.	DRW	DATE	REV	NOTE
1	ZhouYiJuan	2009/04/03	A/A	Initial Drawing
2				



1. WIRING:

CONN1	CONN2
1 -----	1 RED
2 -----	2 WHITE
3 -----	3 GREEN
4 -----	5 BLACK
G -----	G DRAIN

2. PACKING:



NO.	PART NO.	DESCRIPTION	Q' TY	UNIT
1	CABLE	UL2725, 28AWG*1P+28AWG*2C+AEB OD=4.0MM BLACK, L=1000MM	1	PC
2	CONNECTER	USB AM , WHITE INSULATION , SHELL NICKEL PLATED WITH SOLDER.	1	PC
3	CONNECTER	MINI 5P MALE, SHELL NICKEL PLATED WITH SOLDER.	1	PC
4	PVC	45P PVC , COLOR:BLACK	1	10g

Wellco T&C Co., Ltd.

CUSTOMER		DATE		PAGE	1/1		
DRW	ZhouYiJuan	PRODUCT	USB AM/MINI USB 5PIN	RATIO	1:1		
CHECK		SCAL	QXH2009-0014	REV	A	UNIT	mm
APP		DATE	2009/04/03	Draw NO.			