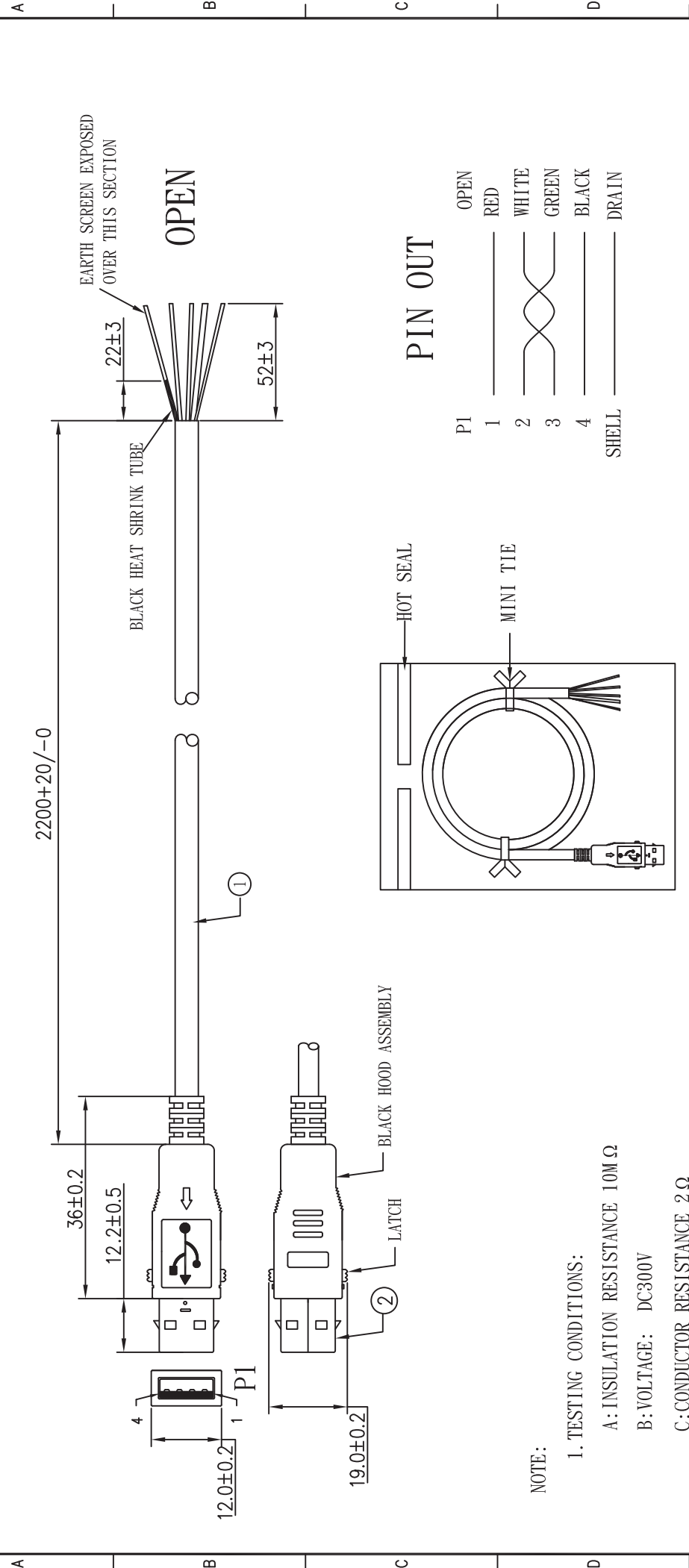


W

Customer Name:	9280	REV.	Date	Description
		1.0	01-13-2014	First Issue



NOTE:
 1. TESTING CONDITIONS:
 A: INSULATION RESISTANCE 10MΩ
 B: VOLTAGE: DC300V
 C: CONDUCTOR RESISTANCE 2Ω
 2. DURATION: 0.01S

Wellco T&C Co., Ltd.			CUS.Rev	UNIT: mm
DRAWING	Billy July 10, 2013.	MF P/N: CABLE USB DREIT3	SCALE: NONE	PAGE: 1/1
CHECKED	Long July 11, 2013.	CUST P/N:		DWG NO:
RECHECKED	Long July 11, 2013.	SPEC: USB(LOCK) TO OPEN		
APPROVED	Chin July 11, 2013.	RFQ NO.		

②	1	USB 2.0 A TYPE MALE: WITH LATCH SOLDER TYPE, GOLD PLATED CONTACTS, NICKEL PLATED SHELL, WHITE INSULATION .							
①	AR	USB 2.0 CABLE: UL2725 28AWG*1P+24AWG*2C+AE, BLACK PVC JACKET, OD: 4.5±0.15mm							
NO. Q'TY		Description	Remark						