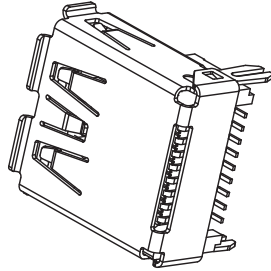
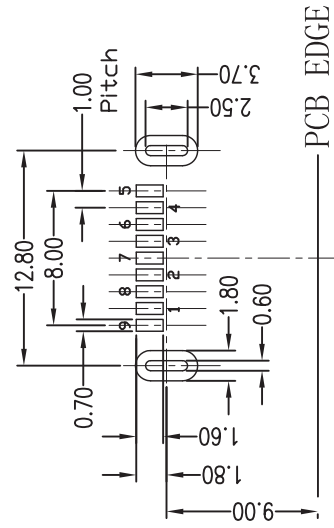
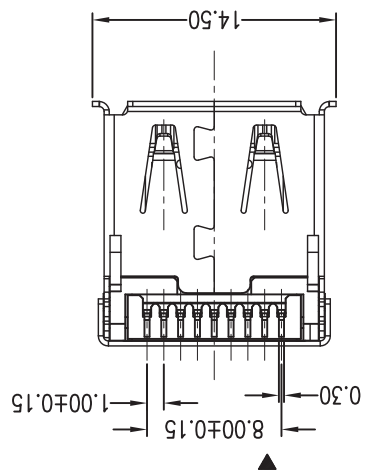
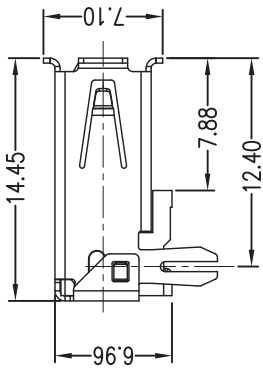
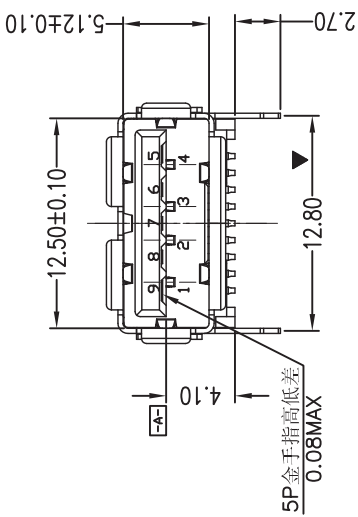


Pin NUMBER	SIGNAL NAME
1	VBUS
2	D-
3	D+
4	GND
5	StdA_SSRX-
6	StdA_SSRX+
7	GND_DRAIN
8	StdA_SSTX-
9	StdA_SSTX+
Shell	Shield



- NOTES:
- INSULATOR: PBT+30%GF, COLOR: BLUE
 - USB 4P CONTACT: PHOSPHOR BRONZE, T=0.20mm
USB 5P CONTACT: BRASS, T=0.20mm
SHELL: BRASS T=0.30mm
 - PLATING:
CONTACT: GOLD (SEE 6) OVER 50u" MIN NICKEL AND 80u" MIN TIN OVER 50u" MIN NICKEL ON SOLDER TAIL;
SHELL: 80u" MIN NICKEL ALL OVER.
 - ELECTRICAL CHARACTERISTICS:
4.1 CONTACT RESISTANCE: 30mΩ MAXIMUM
4.2 CONTACT CURRENT RATING: 1.5 AMPERES
4.3 DIELECTRIC WITHSTANDING VOLTAGE: 500 V R.M.S.
4.4 INSULATION RESISTANCE 1000 MΩ MIN
4.5 OPERATING TEMPERATURE: -40°C ~ 85°C
 - MECHANICAL CHARACTERISTICS:
5.1 MATING FORCE: 3.57kg MAX
5.2 UNMATING FORCE: 1.02kg MIN
5.3 DURABILITY: MANDATORY: 5,000 CYCLES

USB3A-0AXXE001

Contact Finish:
00: Material
01: Cr/P
05: 5u" Gold
10: 10u" Gold
15: 15u" Gold
30: 30u" Gold

PCB LAYOUT
TOLERANCE: ±0.05

TOLERANCE:		UNIT	Wellco T&C Co., Ltd.	
X, ±0.50	X° ±1°	MM	DRAWN:	2011.01.17
X ±0.30	X° ±1°	SHEET	DESIGN:	USB3A-0AXXE001
.XX ±0.20	.XX° ±1.0°	SCALE	CHECK:	ITEM:
.XXX ±0.10		1:1	APPR:	USB 3.0 A F SMT (鱼叉脚)
		REV: v1.2	DRAW NO: C-USB3A-0AXXE001	

LTR	ECN NO	REVISION	RECORD	DRAW	DATE