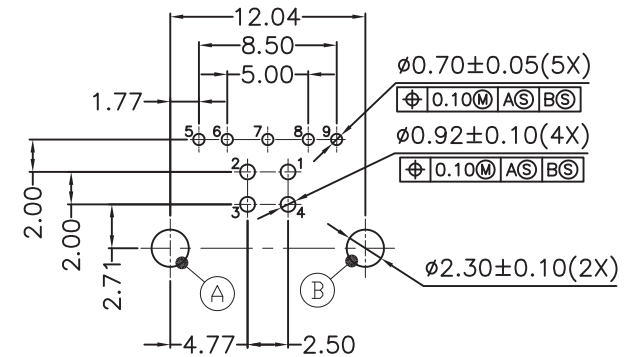
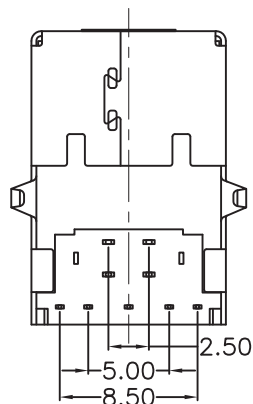
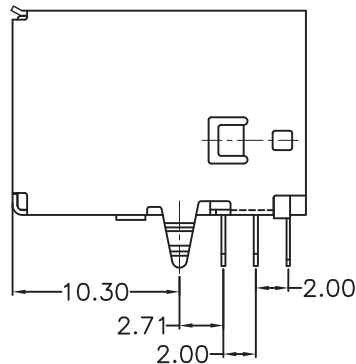
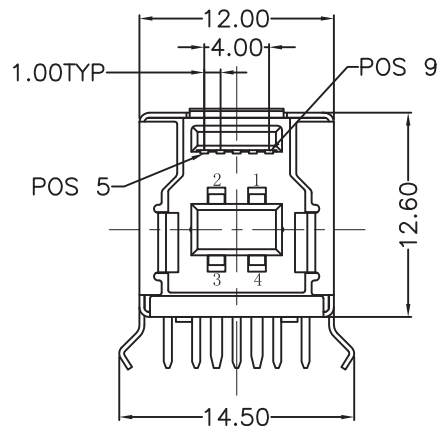
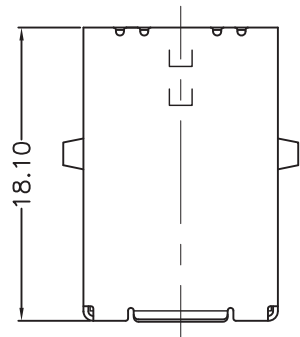


REV.	DESCRIPTION	DATE	DEVISER	APPROVED
A/0	The last word	2009.09.11	Andy Lee	



RECOMMENDED PCB LAYOUT  
COMPONENT SIDE TOLERANCE:±0.05

Notes:

1.Material:

- 1.1 Housing: PBT(BLACK)&Glass-Fiber,UL94 V-0;
- 1.2 Back Cover:PBT(BLACK)&Glass-Fiber,UL94 V-0;
- 1.2 Contact 1: Copper Alloy,T=0.20mm;
- 1.3 Contact 2: Copper Alloy,T=0.25mm;
- 1.4 Shell: Copper Alloy,T=0.30mm.

2.Electrical:

- 2.1 Voltage Current Rating:1AMP,30V AC;
- 2.2 Contact Resistance: 30mΩ Max;
- 2.3 Insulation Resistance:1000MΩ Min;
- 2.4 Delectric Withstanding Voltage:500V AC;
- 2.5 Temperature Rating: -55°C~+105°C.

**Wellco T&C Co., Ltd.** [www.wellco.com.tw](http://www.wellco.com.tw)

TOLERANCES GENERAL:

. X	± 0.20
. XX	± 0.10
. XXX	± 0.05

ANGLE

. X	± 2.0°
. XX	± 1.0°

UNIT:	mm	DRAWN:	Andy Lee	TITLE: USB-B Receptacle 90° DIP			
3RD:		CHECKED:		(3.0 Version)			
SCALE:	FIT	APPRD:		SHEET:	1	PART NO:	UB09RDXX0105
REV:	A/0	EXAMINE:		CHART NO:	9091102	MATE NO:	