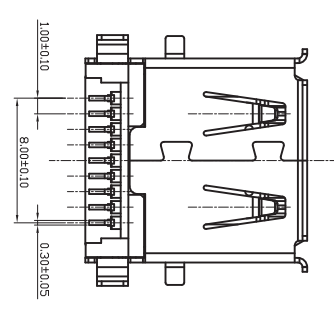


PCB LAYOUT
TOLERANCE: ±0.05



Pin #	SIGNAL NAME	DESCRIPTION
1	VBUS	POWER
2	D-	USB 2.0 DIFFERENTIAL PAIR
3	D+	DIFFERENTIAL PAIR
4	GND	GROUND FOR POWER RETURN
5	St.dL_S.SRX-	SUPERSPEED RECEIVER DIFFERENTIAL PAIR
6	St.dL_S.SRX+	SUPERSPEED RECEIVER DIFFERENTIAL PAIR
7	GND_DRAIN	GROUND FOR SIGNAL RETURN
8	St.dL_S.STX-	SUPERSPEED TRANSMITTER DIFFERENTIAL PAIR
9	St.dL_S.STX+	SUPERSPEED TRANSMITTER DIFFERENTIAL PAIR
Shell	Shield	CONNECTOR METAL SHELL

NOTE:
1.MATERIAL:
1.1 INSULATOR:HIGH TEMPERATURE PLASTIC UL 94 V-0 BLUE
1.2 CONTACT: COPPER ALLOY(T=0.20mm)
1.3 SHELL: BRASS(T=0.30mm)
2.ELECTRICAL CHARACTERISTICS:
2.1 CONTACT RESISTANCE: 30mΩ MAXIMUM
2.2 CONTACT CURRENT RATING: 1.5A
2.3 DIELECTRIC WITHSTANDING VOLTAGE: 500 V R.M.S.
2.4 INSULATION RESISTANCE: 1000 MEGOHMS MIN
2.5 OPERATING TEMPERATURE: -40°C~85°C
3.MECHANICAL CHARACTERISTICS
3.1 MATING FORCE: 3.57kg MAX
3.2 UNMATED FORCE: 1.02kg MIN
3.3 DURABILITY: MANDATORY: 5,000 CYCLES
4.PLATING
4.1 TERMINAL CONTACT: 30" GOLD PLATING ALL OVER 50U" MIN NICKEL AND 80U" MIN Tin ALL OVER 50U" MIN NICKEL ON SOLDER AREA
4.2 SHELL: 80U" MIN. NICKEL OVER 20" MIN COPPER
5. PRODUCT NO. DESCRIPTION:
USB3A-08XXE002

Contact Finish :
00: Material 10: 10u"Gold
01: CrF 15: 15u"Gold
05 : 5u"Gold 30: 30u"Gold

Wellco T&C Co., Ltd.

TOLERANCE:	UNIT
X. ± 0.50	X° ± 1°
.X ± 0.30	.X° ± 1°
.XX ± 0.20	.XX° ± 1.0°
.XXX ± 0.10	

REVISION	RECORD	DRAW	DATE
1	1	1	1

SCALE	DESIGN	CHECK	APPR
1/1	1:1		

ITEM:	P/N:	DATE:
USB 3.0 A/F 沉板 SMT	USB3A-08XXE002	2010.10.23

DRW NO.:	DRW
C-USB3A-08XXE002	