

SPECIFICATION FOR APPROVAL

PRODUCT NAME: 59 1*1port with transformer, EMI+ W/0
LED, 10/100BT+ Before 3.05

PRODUCT NO : TS-10007

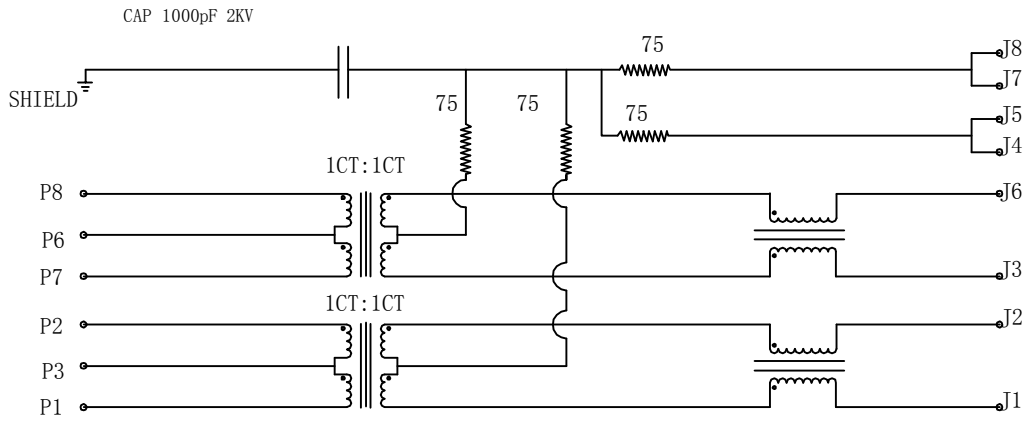
CUSTOMER NO :

REV : 01 DATE :

Wellco		
Issued By	Checked By	Approved By

Customer		
Customer Approval: <input type="checkbox"/> Approved <input type="checkbox"/> Conecssionary <input type="checkbox"/> Rejected		
Issued By	Checked By	Approved By

Wellco T&C Co., Ltd.



ALL THE RAW MATERIALS MEET RoHS STANDARD

ELECTRICAL SPECIFICATIONS:

1.0 TURNS RATIO: (P1~P2) : (J1~J2)	:1:1 E 3%
(P7~P8) : (J3~J6)	:1:1 E 3%
2.0 INDUCTANCE: (P1~P2)	350uH MIN @ 0.1V, 100KHZ, 8mA DC BIAS
(P7~P8)	350uH MIN @ 0.1V, 100KHZ, 8mA DC BIAS
3.0 LEAKAGE INDUCTANCE: P1~P2 (WITH J1 AND J2 SHORT)	:0.35uH MAX @1 MHZ
P7~P8 (WITH J3 AND J6 SHORT)	:0.35uH MAX @1 MHZ
4.0 INTERWINDING CAPACITANCE: (P1~P2) : (J1~J2)	:35pF MAX @ 1MHZ
(P7~P8) : (J3~J6)	:35pF MAX @ 1MHZ
5.0 DC RESISTANCE: (J1~J2) : (J3~J6)	:1.2 OHMS MAX
6.0 RETURN LOSS: 1MHZ TO 30MHZ	:-18dB MIN
30MHZ TO 80MHZ	:-12dB MIN
7.0 DIELECTRIC WITHSTAND: (P1~P2) : (J1~J2)	:1500VAC
(P7~P8) : (J3~J6)	:1500VAC
8.0 INSERTION LOSS: RS=RL=100OHM	
100KHZ TO 80MHZ	:-1.2dB MIN
9.0 CROSS TALK: 1MHZ TO 100MHZ	35dB TYP
10.0 COMMON TO COMMON MODE ATTENUATION: 30MHZ TO 100MHZ	:30dB TYP

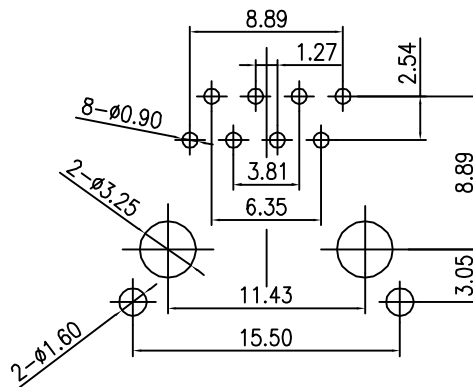
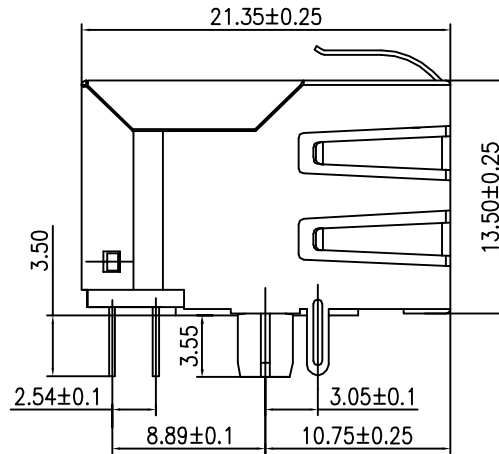
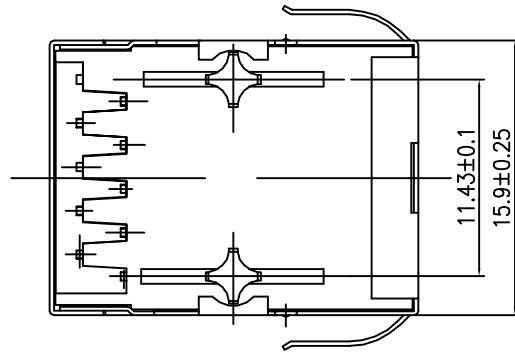
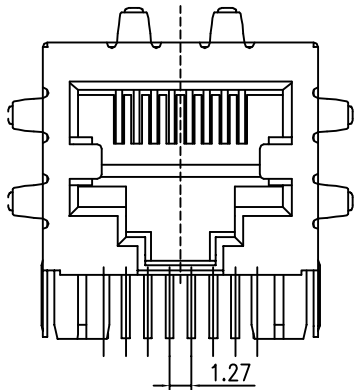
SIZE A	DRAWING NO. TS-10007	REV 01
SCALE N/A		SHEET 2 OF 3

MECHANIC SPECIFICATIONS:

NOTES:

- 1. CONNECTOR MATERIAL:
- HOUSING: THERMOPLASTIC UL94 V-0
- CONTACT/SHIELD: COOPER ALLOY
- SHIELD PLATING: NICKEL OR TIN
- CONTACT PLATING: SELECTIVE GOLD,
- 50 MICRO-INCHS MIN
- 30 MICRO-INCHS MIN
- 15 MICRO-INCHS MIN
- 6 MICRO-INCHS MIN
- 3 MICRO-INCHS MIN
- IN CONTACT AREA

- 2. PIN NOT ELECTRICALLY CONNECTED MAYBE OMITTED SEE ELECTRICAL DRAWING FOR OMITTED PINS
- 3. TOLERANCES COMPLY WITH F. C. C DIMENSION REQUIREMENTS
- 4. WAVE SOLDER COMPATIBLE-PREHEAT 125 C DEGREE/90SECS
- 5. ALL TOLERANCES NOT OTHERWISE SPECIFIED TO BE E 0.25mm.



P. C. B RECOMMENDED HOLE LAYOUT SEEN FROM COMPONENT SIDE.

ALL CENTERLINE DIMENSIONS ARE BASIC

Ordering informer:
TS-10007-0XX

See Sheet

Material Plastic:
N: without Haloid.
H: with Haloid

Code	Housing Colour	Housing Material	Insertor Colour	Insertor Material
Z	Black	PBT	Black	PBT
Y	Black	PBT	Yellow	PBT
W	Yellow	PBT	Black	PBT
U	Yellow	PBT	Yellow	PBT
T	Black	PA66	Black	PBT
S	Black	PA66	Yellow	PBT
R	Yellow	PA66	Black	PBT
Q	Yellow	PA66	Yellow	PBT

SIZE A	DRAWING NO. TS-10007	REV 01
SCALE N/A		SHEET 3 OF 3