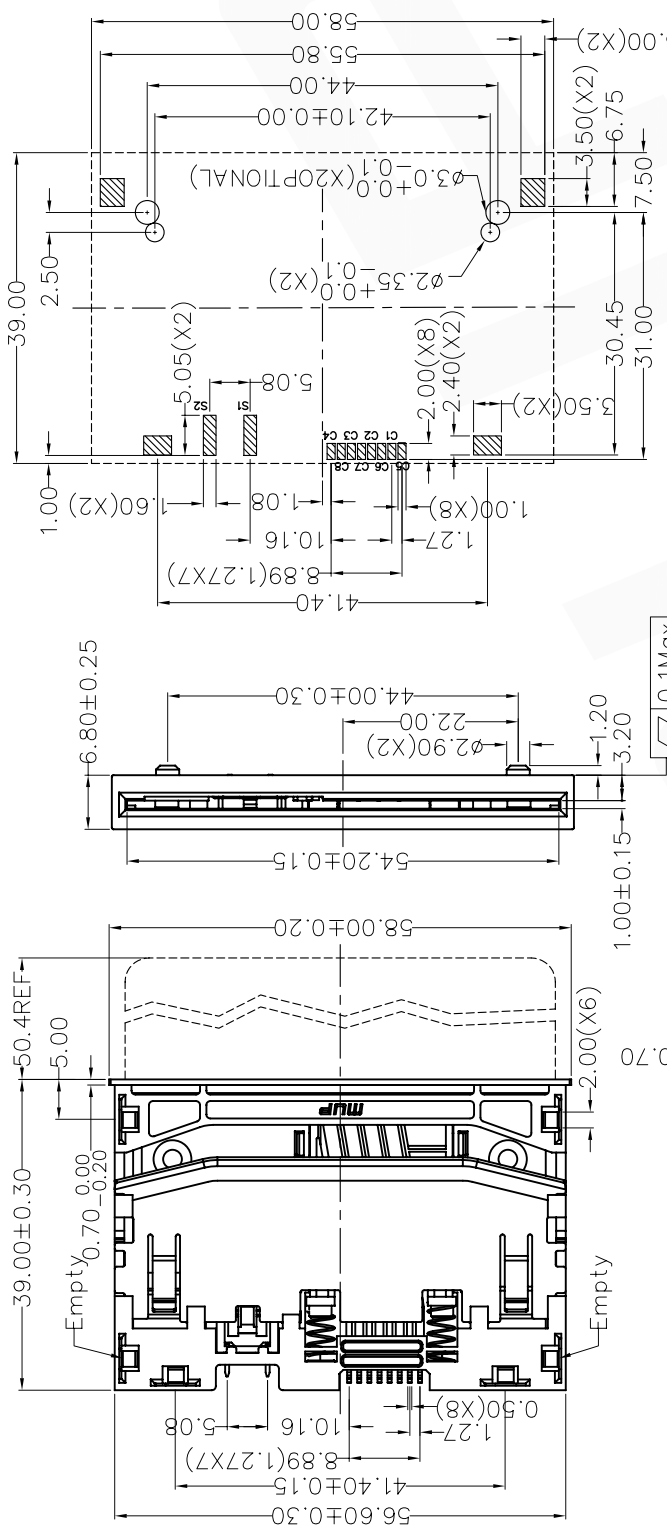
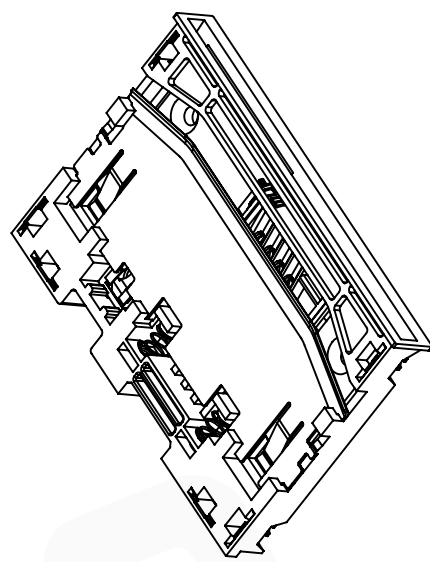


REV.	DESCRIPTION OF REVISIONS	APPR.	DRAW.	RELEASE	DATE
X1	Structure Change, improve durability		Zoey		Jun.18.2011
X2					



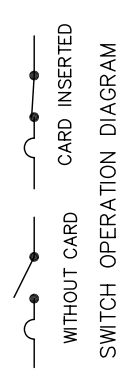
RECOMMENDED P.C.B LAYOUT
COMPONENT SIDE(TOLERANCE ±0.05)



TECHNICAL CHARACTERISTICS

- General Characteristics**
 Dimensions: 58.0LX39.0WX6.80H mm
 Weight: Approx 1.5±0.5g
 Durability: 500,000 cycles min.
- Electrical Characteristics**
 Contact resistance: 50mΩ typical, 100mΩ max
 Insulation resistance: >1000MΩ/500V DC
- Solderability**
 Vapor phase: 215°C, 30sec. Max
 IR reflow: 250°C, 5sec. Max
 Manual soldering: 370°C, 3sec. Max
- Environmental Characteristics**
 Operating temperature: -40°C~+85°C
 Operating humidity: 10%~+95%RH

ELECTRIC FUNCTION	DETECT SWITCH
WITHOUT CARD	OPEN
CARD INSERTED	CLOSED



ITEM	PART NAME	Q'TY	MATERIAL	FINISH
1	BASE	1	Hi-temp Thermoplastic	Black UL94V-0
2	SLIDE	1	Hi-temp Thermoplastic	Black UL94V-0
3	CONTACT	8	Copper Alloy	Contact area: Gold plated
4	FLAKE	1	SUS	Contact area: Tin plated
5	SWITCH CONTACT	1	Stainless Steel	Contact area: Tin plated
6	DETECT CONTACT	1	Stainless Steel	Contact area: Tin plated
7	SPRING	2	SWP	
8	LATCH	4	Brass	Plated: Tin over all

Wellco T&C Co., Ltd.

NAME: **Smart Card Acceptor**

MODEL NO: **860**

TYPE: **H6.80 mm**

DWG NO.:
 DRAWN: Zoey Jun.18.2011
 CHECKED: Key Jun.18.2011
 APPROVAL: Simon Jun.18.2011

CUSTOMER DRAWING: 1/1

REVISION: X1

PROCESS COMPLIANT