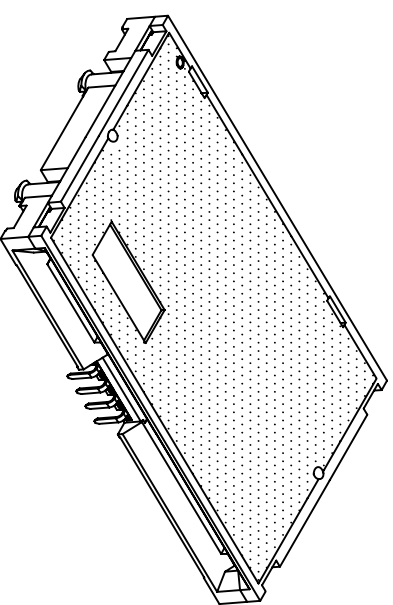


FOOT PRINT
COMPONENT SIDE



TECHNICAL CHARACTERISTICS

1.General Characteristics
 Dimensions:62.0Lx40.0Wx6.25H mm
 Weight:Approx13.5±0.5g
 Contact principle:friction technology
 Operating position:shaft up/down/horizontal
 Mounting System:Thru Hole with snap-in-lock
 With dustproof door
 Durability:100,000 cycles min.
 2.Mechanical characteristics
 Insulation material:Thermoplastic,UL 94V-0

3.Electrical Characteristics
 Number of contacts (Optional):6,8pins
 contact resistance:50mΩtypical,100mΩmax
 insulation resistance:>1000MΩ/500V DC
 Switch type:Blade
 Operation:Normally open or closed
 4.Solidarity
 wave:250°C,5secretary.
 Vaporphase:Not applicable
 IR reflow: Not applicable
 Manual soldering :370°C,3sec.Max

5.Environmental Characteristics
 Operating temperature:-40°C~+85°C
 Operating humidity :10%~+95%RH
 Storage temperature:-40°C~+85°C
 storage Humidity:10%~95%RH
 thermal Shock:-40°C~+85°C,5cycles
 Damp Heat:40°C,90%RH,10days.
 Salt-Mist:35°C,5%NaCl,24HR

Wellco T&C Co., Ltd.

Smart Card Acceptor

Model No: -C806(With dustproof door)

Normally open or closed

REVISION:1.0

DATE: Apr.10. 2006