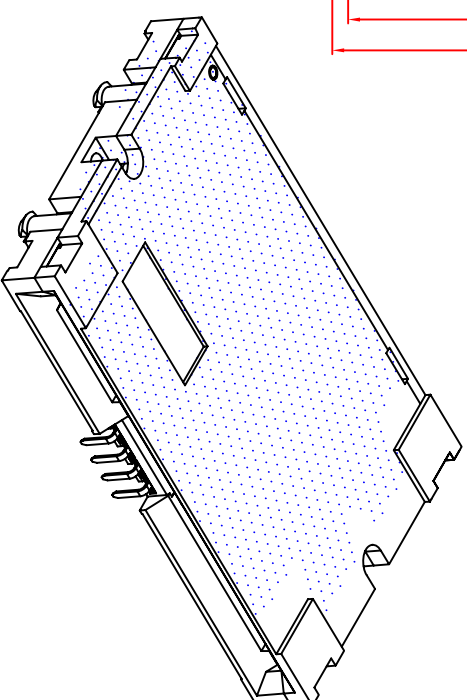


FOOT PRINT
COMPONENT SIDE



TECHNICAL CHARACTERISTICS

1.General Characteristics

Dimensions:62.0Lx40.0Wx6.90Hmm
 Weight:Approx13.5±0.5g
 Contact principle:friction technology
 Operating position:shaft up/down/horizontal
 Mounting System:Thru Hole with snap-in-lock
 Durability:100,000 cycles min.
 2.Mechanical characteristics:
 Insulation material:Thermoplastic,UL 94V-0

3.Electrical Characteristics

Number of contacts:8pins
 contact resistance:50mΩtypical,100mΩmax
 insulation resistance:>1000MΩ/500V DC
 Switch type:Blade
 Operation:Normally open or closed
 4.Solderability
 wave:250°C,5secretary.
 Vaporphase:Not applicable
 IR reflow: Not applicable
 Manual soldering :370°C,3sec.Max

5.Environmental Characteristics

Operating temperature:-40°C~+85°C
 Operating humidity :10%~+95%RH
 Storage temperature:-40°C~+85°C
 storave Humidity:10%~95%RH
 thermal Hock:-40°C~+85°C,5cycles
 Damp Heat:40°C,90%RH,10days.
 Salt-Mist:35°C,5%NaCl,24HR

Wellco T&C Co., Ltd.

Smart Card Acceptor

Model No: -C803

Normally open or closed

REVISION:1.1 DATE: Apr.10. 2004