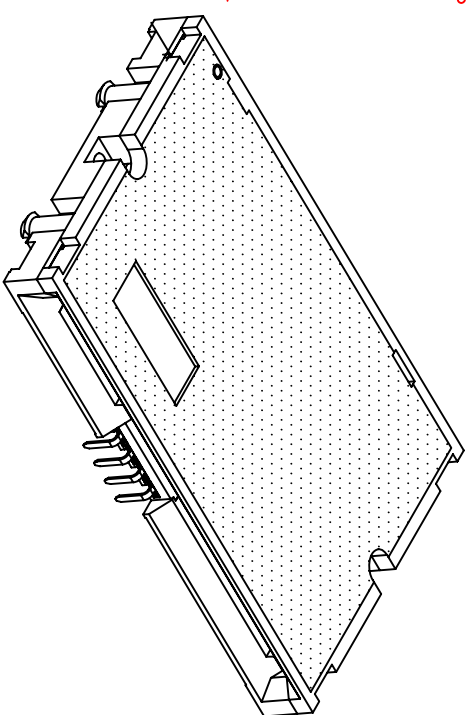


**FOOT PRINT  
COMPONENT SIDE**



**TECHNICAL CHARACTERISTICS**

1.General Characteristics  
 Dimensions:62.0Lx40.0Wx6.85H mm  
 Weight:Approx13.5±0.5g  
 Contact principle:friction technology  
 Operating position:shaft up/down/horizontal  
 Mounting System:Thru Hole with snap-in-lock  
 Durability:100,000 cycles min.

2.Mechanical characteristics:  
 Insulation material:Thermoplastic,UL 94V-0

3.Electrical Characteristics  
 Number of contacts:8pins  
 contact resistance:50mΩtypical,100mΩmax  
 insulation resistance:>1000MΩ/500V DC  
 Switch type:Blade  
 Operation:Normally open or closed

4.Solderability  
 wave:250°C,5secetary.  
 Vaporphase:Not applicable  
 IR reflow: Not applicable  
 Manual soldering :370°C,3sec:Max

5.Environmental Characteristics  
 Operating temperature:-40°C~+85°C  
 Operating humidity :10%~+95%RH  
 Storage temperature:-40°C~+85°C  
 Storage Humidity:10%~95%RH  
 thermal Hook:-40°C~+85°C,5cycles  
 Damp Heed:40°C,90%RH,10days.  
 Salt-Mist:35°C,5%NaCl,24HR

**Wellco T&C Co., Ltd.**

**Smart Card Acceptor**

**Model No: -C802**

**Normally open or closed**

**REVISION:1.1 DATE: Apr.10. 2004**