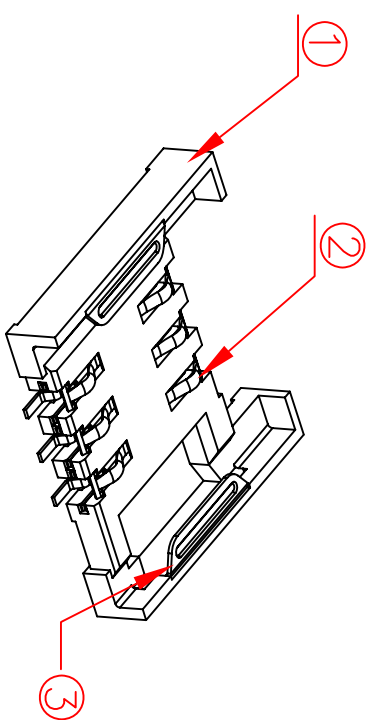
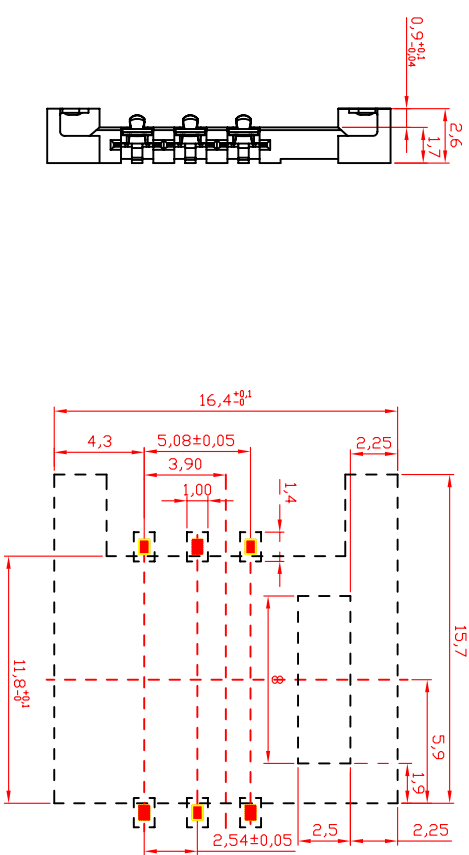


ITEM	PART NAME	Q'TY	MATERIAL
①	BASE	1pcs	Thermoplastic UL94-0
②	Data contact	6pin	Phosphor bronze
③	Holder	2pcs	SUS304



TECHNICAL CHARACTERISTICS

1.General Characteristics

Dimensions: 15.70L x16.40W x2.60H mm
 Weight: Approx 0.5g
 Contact principle: friction technology
 Operating position: shaft up/down/horizontal
 Mounting System: SMT(Post optional)
 Durability: 5000 cycles min.
 2.Mechanical characteristics:
 Insulation material: Thermoplastic,UL 94V-0

3.Electrical Characteristics

Number of contacts (Optional): 6pins
 contact resistance: 50mΩtypical,100mΩmax
 insulation resistance: >1000MΩ/500V DC
 4.Solderability
 wave: Not applicable
 Vapourphase: 215°C, 30sec. Max
 IR reflow: 260°C,10sec.Max
 Manual soldering : 360°C,3sec.Max

5.Environmental Characteristics

Operating temperature: -40°C~+85°C
 Operating humidity : 10%~+95%RH
 Storage temperature: -40°C~+85°C
 Storage Humidity: 10%~95%RH
 thermal shock: -40°C~+85°C,5cycles
 Damp Heat: 40°C,90%RH,10days.
 Salt-Mist: 35°C,5%NaCl, 24HR

Wellco T&C Co., Ltd.

Smart Card Acceptor

Model No: -C721 (W/O post)

SIM Card Connector

REVISION:1.0

DATE: Mar.20, 2007