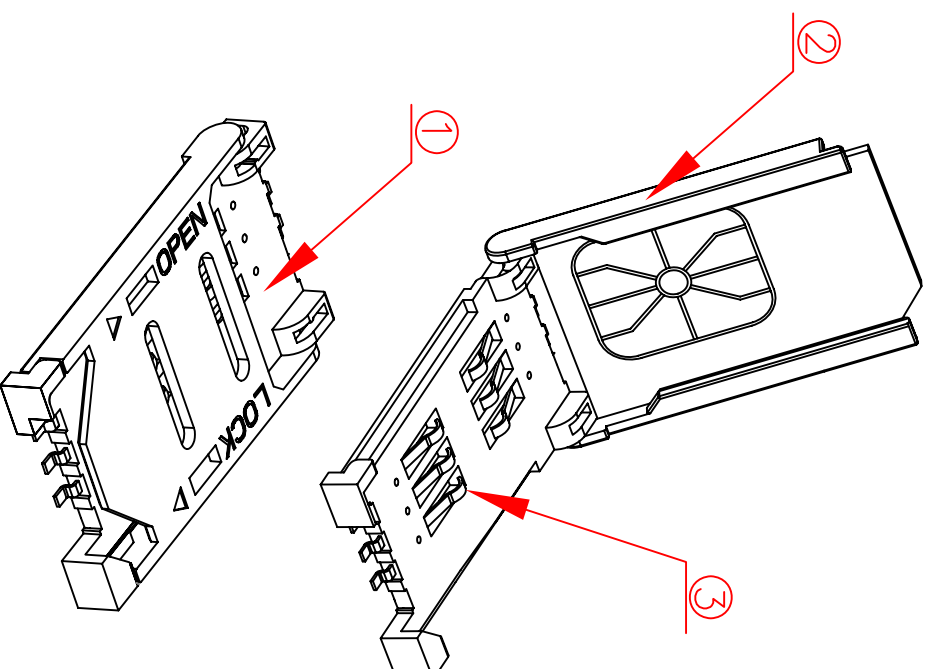


ITEM	PART NAME	Q'TY	MATERIAL
①	BASE	1PCS	Thermoplastic UL94-0
②	COVER	1PCS	Thermoplastic UL94-0
③	Data contact	6PIN	Phosphor bronze



TECHNICAL CHARACTERISTICS

1.General Characteristics

Dimensions: 29.56L x 17.20W x 3.00H mm
 Weight: Approx 1.30±0.2g
 Contact principle: friction technology
 Operating position: shaft up/down/horizontal
 Mounting System: SMT(Post Optional)
 Durability: 5000 cycles min.
 2.Mechanical characteristics:
 Insulation material: Thermoplastic, UL 94V-0

3.Electrical Characteristics

Number of contacts (Optional): 6, 8pins
 contact resistance: 50mΩtypical, 100mΩmax
 insulation resistance: >1000MΩ/500V DC
 4.Solderability
 wave: Not applicable
 Vapourphase: 215°C, 30sec. Max
 IR reflow: 230°C, 15sec. Max
 Manual soldering : 360°C, 3sec. Max

5.Environmental Characteristics

Operating temperature: -40°C~+85°C
 Operating humidity : -10%~+95%RH
 Storage temperature: -40°C~+85°C
 Storage Humidity: 10%~95%RH
 thermal shock: -40°C~+85°C, 5cycles
 Damp Heat: 40°C, 90%RH, 10days.
 Salt-Mist: 35°C, 5%NaCl, 24HR

Wellco T&C Co., Ltd.

Smart Card Acceptor

Model No: -C712(w/o post)

Smart Card Connector

REVISION: 1.2 DATE: SEP. 02. 2005