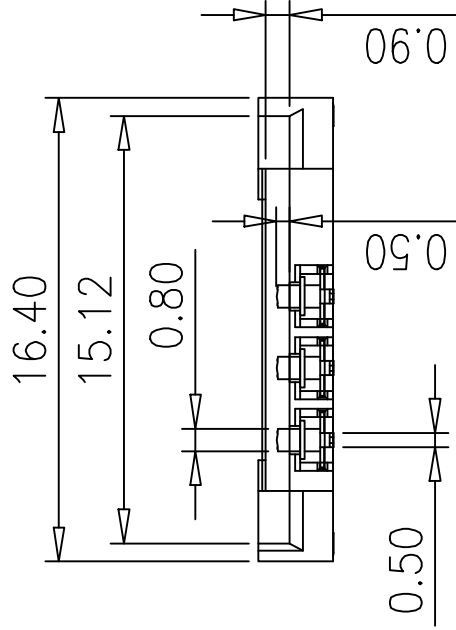
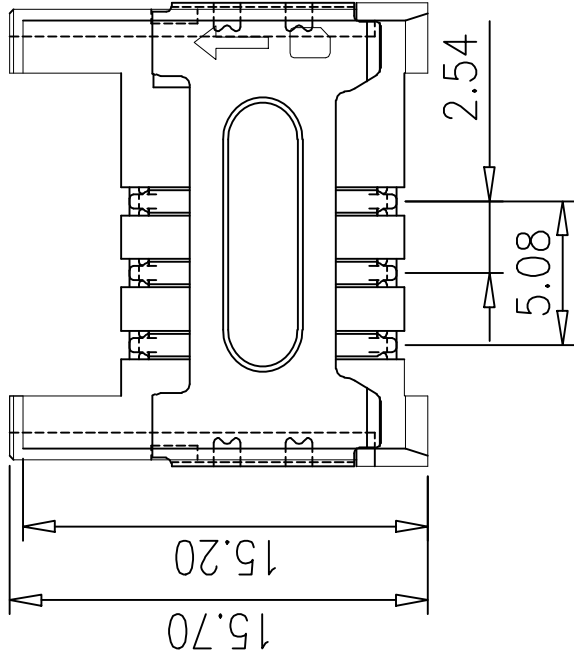
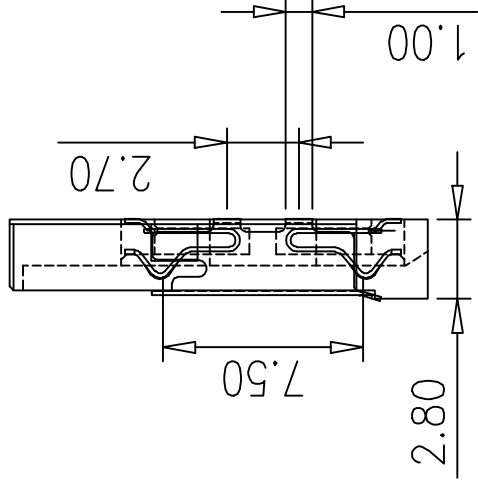
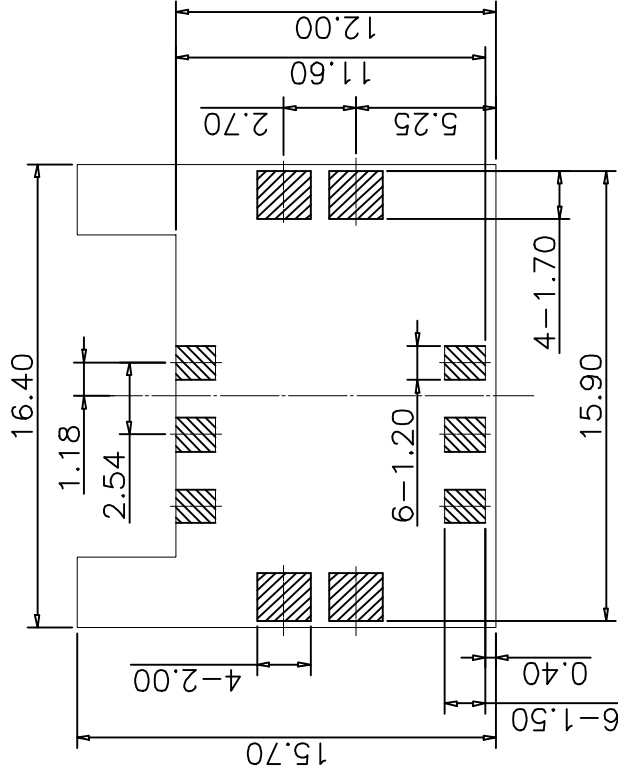




MAK.	Q.U.A.	Description	REV.	DRW.
A				
B				



Notes:

Material: Phosphor Bronze(C5191-H)
SIM Card Connector.With
Housing: Lcp UL 94V-0 Black
On The Cover Sus 304

FINISH : Terminal Half Gold Fog Tin Plating
The Terminal Plating Nickel Is Minimal 50 μ
Gold plated contact point 3 μ
Tin Welding Point Is Minimal 100 μ

Specifications:

Voltage Current Rating: 1A. 50V AC
Insulation Resistance: 1000Mohm Min
Contact Withstanding Voltage:
AC 500V For 1 Minute
Temperature Rating: -40° To +85°
Durability: 100000 Cycles Min
IR Re-Flow: 260°C 15Sec Max



Wellco T&C Co., Ltd.

Gen.Tolerance	Scale	Unit	Size
.X ± 0.20	Not	mm	mm
.XX ± 0.08			
.XXX ± 0.05			
<±1°			

Scale	Unit	Size
Not	mm	mm

P/N # W734S-H2.8
Sim Card Connector

This spec drawing is
under the property of
Wellco T&C Co., Ltd.

Rev. A
Page 1-1

DRW by	AMY July 07 2015
CHK by	Long July 11 2015
APP by	Chin July 11 2015