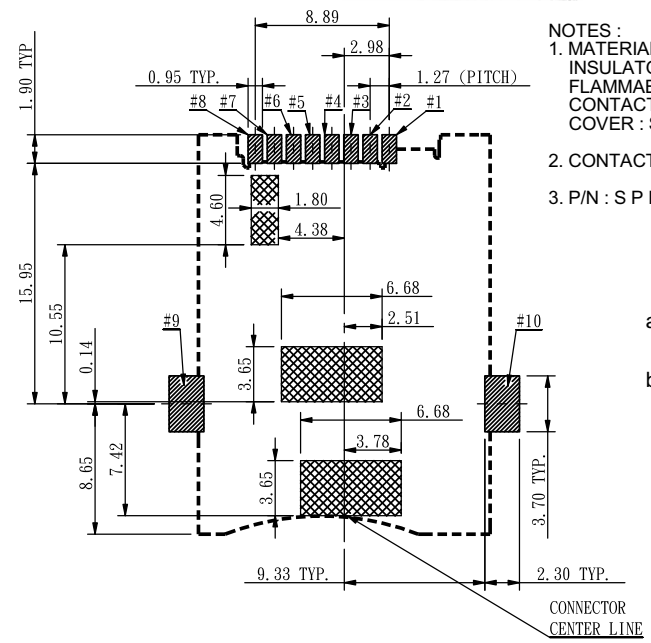
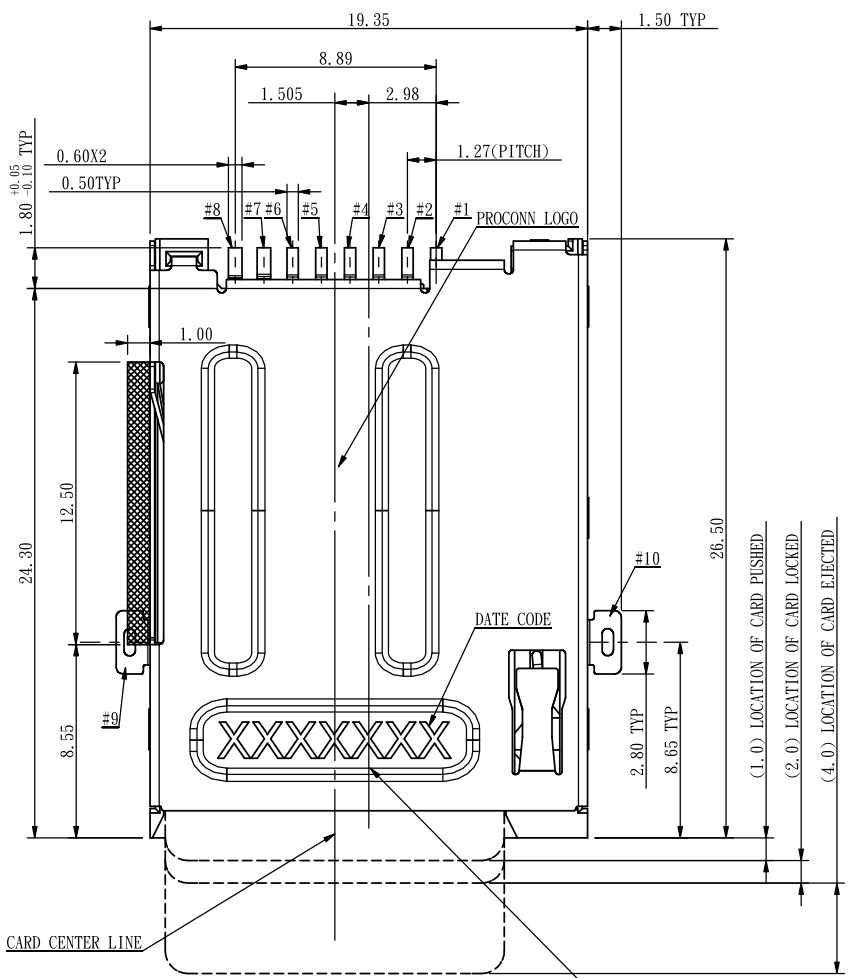


機密文件

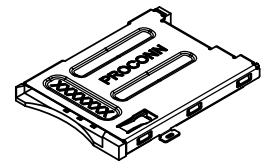
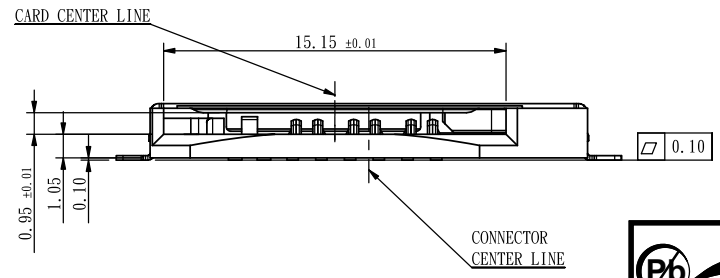
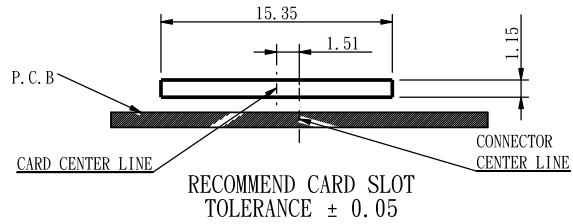
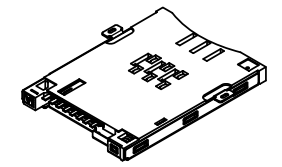
REV.	MODIFICATION	DRAWN	APPROVED
C	EN061608	JIMMY	TONY



NOTES:
1. MATERIAL:
INSULATOR: HIGH TEMPERATURE THERMOPLASTIC
FLAMMABILITY RATING: UL94V-0 COLOR: BLACK
CONTACT: COPPER ALLOYS
COVER: STAINLESS STEEL
2. CONTACT AREA PLATING: GOLD OVER Ni
3. P/N: S P P N 06 - X 0 - 0 X 0 0
a b

a -- CONTACT UNLEAD PLATING:
A: GOLD FLASH
C: 10μ" GOLD
b -- DATE CODE:
0: WITH DATE CODE & LOGO
1: W/O DATE CODE & LOGO
2: WITH DATE CODE W/O LOGO
3: W/O DATE CODE WITH LOGO

RECOMMEND P. C. B. LAYOUT
TOLERANCE ± 0.05



▨ : SOLDER AREA
▩ : PATTERN PROHIBITED AREA

PIN NO.	NAME
#01	VCC
#02	GND
#03	RST
#04	VPP
#05	CLK
#06	I/O
#07	CARD DETECT Switch
#08	CARD DETECT Com.
#09	GND
#10	GND

Wellco T&C Co., Ltd.

TITLE: SIM CARD CONNECTOR PUSH TYPE

GENERAL TOLERANCE		PART NO. SPPN06-X0-0X00		DWG NO. SPPN06-01-C	
X ± 0.40	X.° ± 5°	CUSTOMER DRAWING		SCALE NONE	SHEET 1 / 2
.X ± 0.30	.X° ± 2°	APPROVAL	CHECKED	UNIT mm	PROJ. REV. C
.XX ± 0.20	.XX° ± 1°	DRAWN 胡振華			
.XXX ± 0.10	.XXX° ± 0.5°				

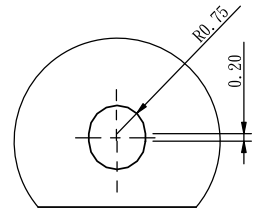
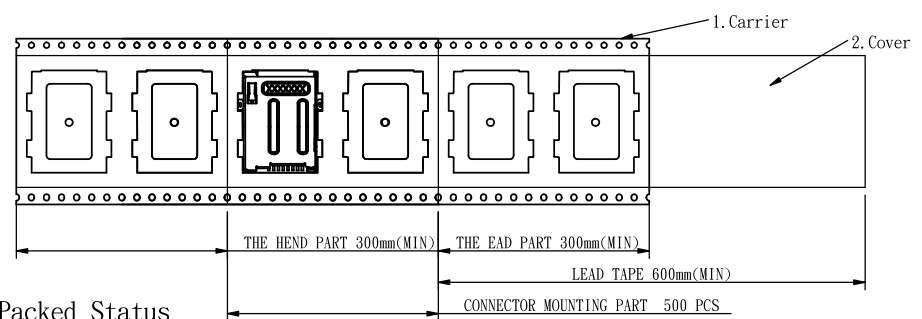
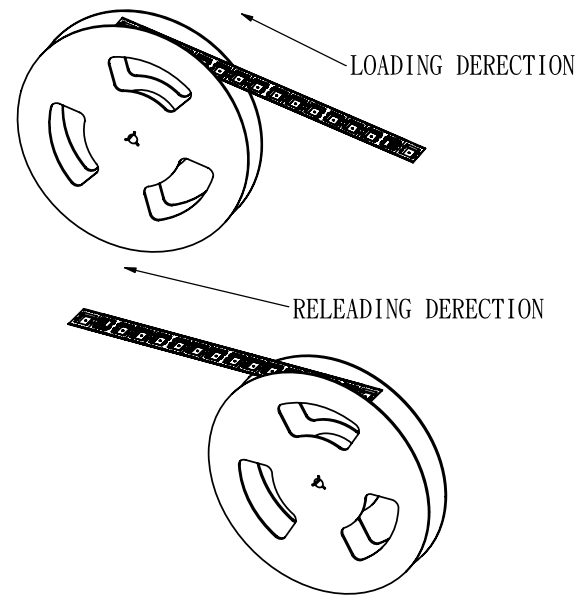
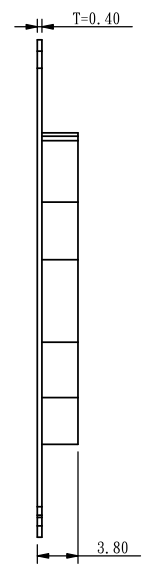
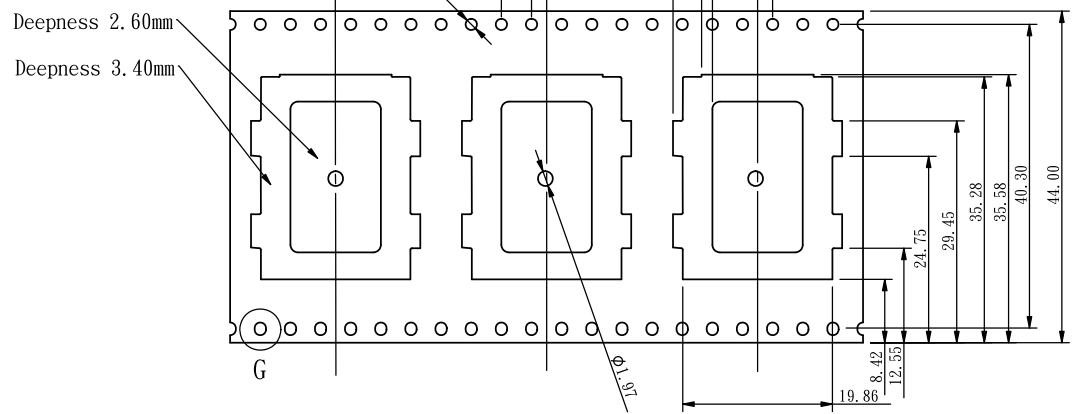


1. THIS PRODUCT DOESN'T CONTAIN ENVIRONMENTAL HAZARDOUS MATERIALS PER DIRECTIVE 2002/95/EC FOR RoHS.
2. ALL RIGHTS RESERVED. PRODUCTS ARE COVERED BY PATENTS AND/OR PATENTS PENDING.

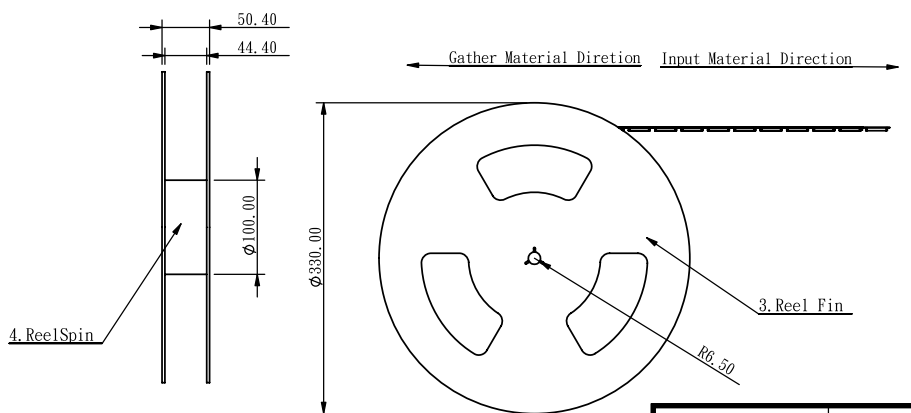
1 2 3 4 5 6 7 8 9 10 11 12

REV.	MODIFICATION	DRAWN	APPROVED
C	EN061608	JIMMY	TONY

1. Tape Packed Status



2. Reel Packed Status



ITEM	NAME	PANT NO.	SPEC	REMARK
1	CARRIER	PACKS-02-R036	W=44mm	Material:PS. Color:Black
2	COVER	PACKS-30-0015	W=37.5mm	Material:PE. Color:Limpid
		PACKS-30-V144		
3	REEL Fin	PACKL-03-0010	Φ=330mm	Material:PS. Color:Blue
4	REEL Spin	PACKL-03-0011	Φ=100mm	Material:PS. Color:Blue

GENERAL TOLERANCE		<h1>Wellco T&C Co., Ltd.</h1>	
X±0.40	X.°±5°		
.X±0.30	.X°±2°		
.XX±0.20	.XX°±1°		
.XXX±0.10	.XXX°±0.5°	TITLE SIM CARD CONNECTOR PUSH TYPE	
CUSTOMER DRAWING		PART NO. SPPN06-X0-0X00	DWG NO. SPPN06-01-C
APPROVAL <i>胡振华</i>	CHECKED <i>胡振华</i>	DRAWN <i>胡振华</i>	UNIT mm
		SCALE NONE	SHEET 2 / 2
		PROJ. 	REV. C



1. THIS PRODUCT DOESN'T CONTAIN ENVIRONMENTAL HAZARDOUS MATERIALS PER DIRECTIVE 2002/95/EC FOR RoHS.
2. ALL RIGHTS RESERVED, PRODUCTS ARE COVERED BY PATENTS AND/OR PATENTS PENDING.