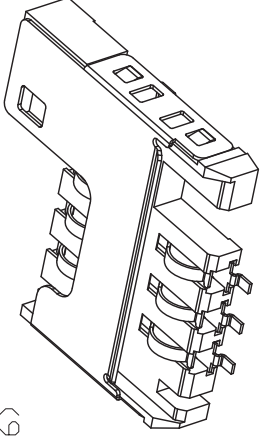
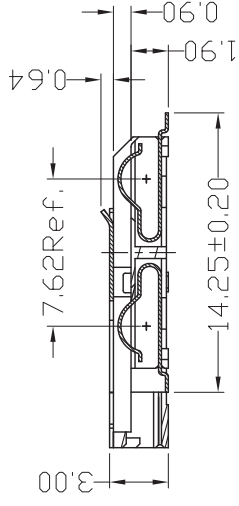
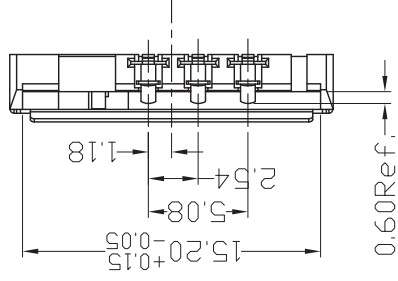
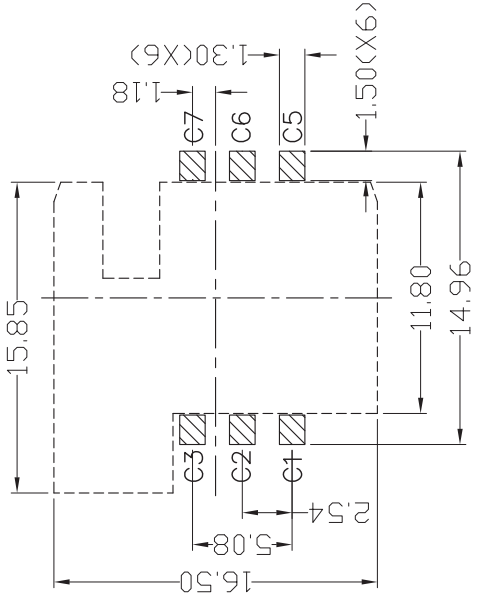
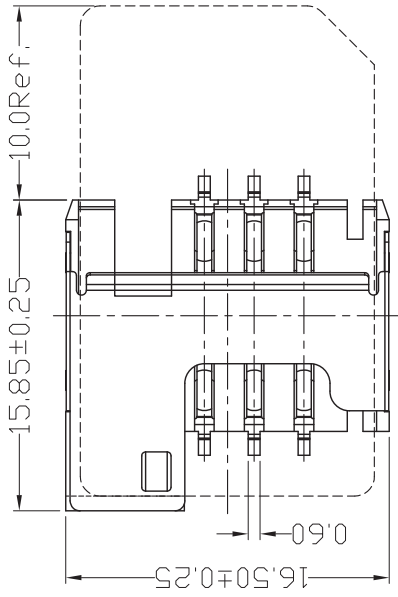


1	2	3	4	5	6	7	8
A	B	C	D	E	F		
REV.	DESCRIPTION OF REVISIONS	APPR.	DRAW.	RELEASE	DATE		
X1							
X2							



RECOMMENDED P.C.B LAYOUT
COMPONENT SIDE(TOLERANCE ±0.05)

TECHNICAL CHARACTERISTICS

- General Characteristics
Dimensions: 15.85X16.50WX3.00H mm
Weight: Approx 0.70±0.2g
Durability: 5,000 cycles min.
- Electrical Characteristics
Contact resistance: 50mΩ typical, 100mΩ max
Insulation resistance: >1000MΩ/500V DC
- Solderability
Vapor phase: 215°C, 30sec. Max
IR reflow: 250°C, 5sec. Max
Manual soldering: 370°C, 3sec. Max
- Environmental Characteristics
Operating temperature: -40°C~+85°C
Operating humidity: 10%~+95%RH

ITEM	PART NAME	Q'TY	MATERIAL	FINISH
1	BASE	1	Hi-temp Thermoplastic	Black UL94V-0
2	COVER	1	Stainless Steel	
3	DATA CONTACT	6	Copper Alloy	Contact area: Gold plated

Unless otherwise specified, other tolerance are:

X	±0.35	X'	±5°
X.X	±0.25	X.X'	±4°
X.XX	±0.15	X.XX'	±3°
X.XXX	±0.10	X.XXX'	±2°
PROJ.	UNIT	SCALE	
	mm	1:1	

CUSTOMER DRAWING

Wellco T&C Co., Ltd.

NAME:	Smart Card Acceptor			
MODEL NO.:	C729			
TYPE :	6 pin			
DRAWN	Zoey	Aug.14.2008	DWG NO.:	C729-001
CHECKED	Sean	Aug.14.2008	SHEET	REVISION
APPROVAL	Simon	Aug.14.2008	1/1	X1

