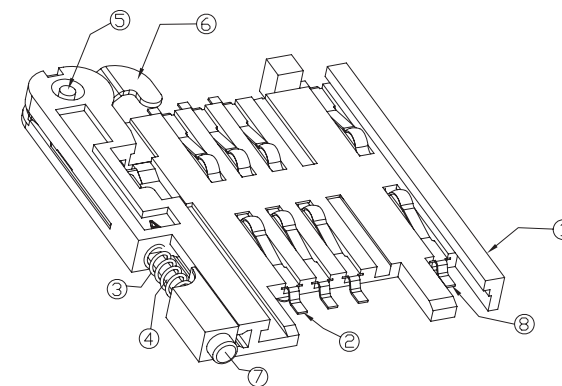


ITEM	COMPONENT	QTY
①	BASE	1
②	DATA CONTACT	6
③	SPRING	1
④	PUSH ROD	1
⑤	ROLLER	1
⑥	TOGGLE LEVER	1
⑦	HANDLE	1
⑧	SWITCH	2



TECHNICAL CHARACTERISTICS

1.General Characteristics

Dimensions: 33.07Lx25Wx3.0H mm
 Weight: Approx 2.10±0.2g
 Contact principle: friction technology
 Operating position: shaft up/down/horizontal
 Mounting System: SMT Type (Post optional)
 Durability: 5000 cycles min.

2.Mechanical characteristics:

Insulation material: Thermoplastic, UL 94V-0

3.Electrical Characteristics

Number of contacts (Optional): 6pins
 contact resistance: 50mΩtypical, 100mΩmax
 insulation resistance: >1000MΩ/500V DC

4.Solderability

wave: Not applicable
 Vaporphase: 215°C, 30sec. Max
 IR reflow: 230°C, 15sec. Max
 Manual soldering : 330°C, 3sec. Max

5.Environmental Characteristics

Operating temperature: -40°C~+85°C
 Operating humidity : 10%~+95%RH
 Storage temperature: -40°C~+85°C
 Storage Humidity: 10%~95%RH
 thermal shock: -40°C~+85°C,
 Damp Heat: 40°C, 90%RH, 10days.
 Salt-Mist: 35°C, 5%NaCl, 24HR

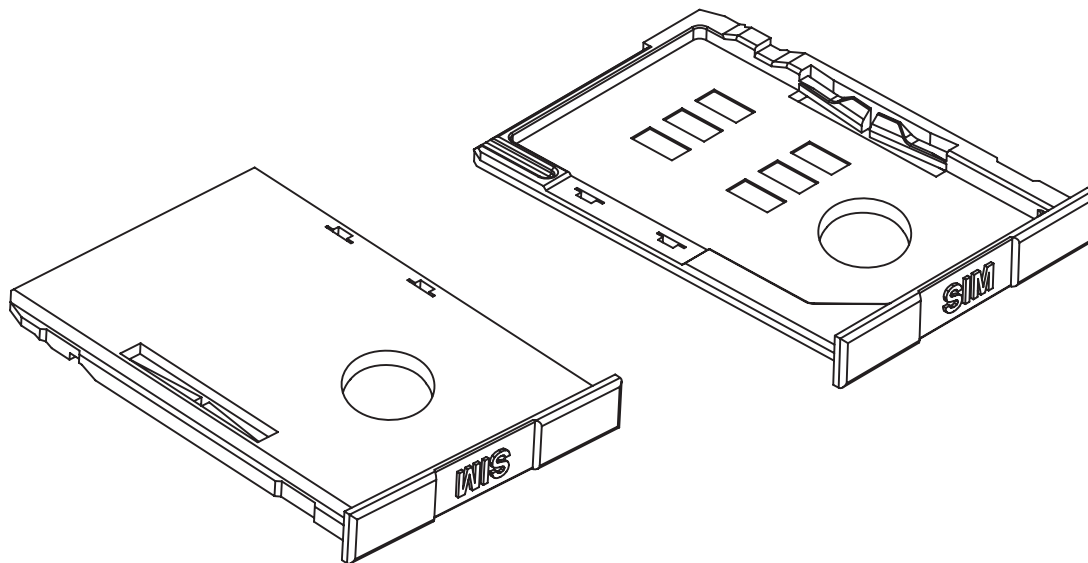
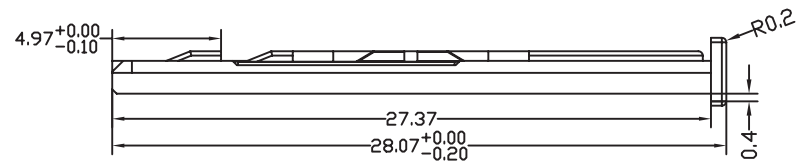
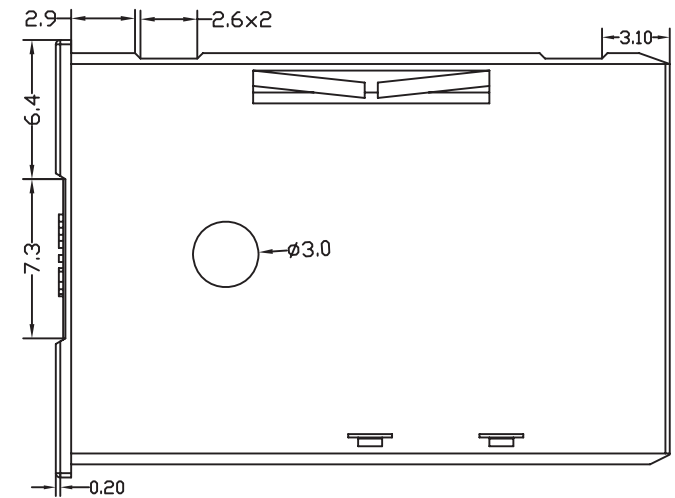
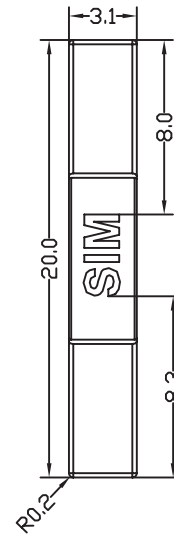
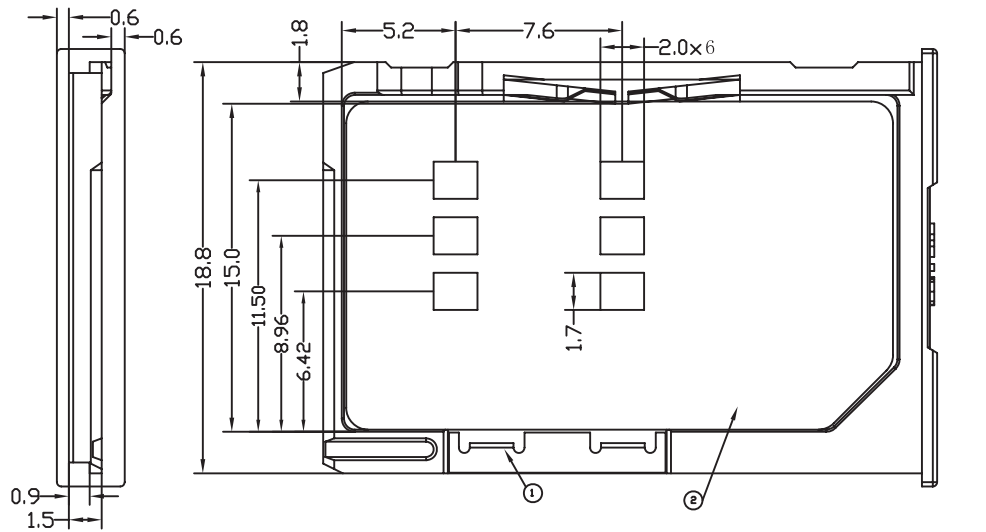
Wellco T&C Co., Ltd.

Model No: C716(w/o post)

SIM Card Connector

REVISION: 1.0

DATE: OCT.10. 2006



ITEM	COMPONENT	QTY	MATERIAL
①	TERMINAL	1	PHOSPHOR BROMZE T=0.15mm
②	COVER	1	PBT+30%G.F BLACK

TECHNICAL CHARACTERISTICS

1.General Characteristics

Dimensions: 33.07Lx25Wx3.0H mm
Weight: Approx 1.5±0.2g

2.Environmental Characteristics

Operating temperature: -40°C~+85°C
Operating humidity : 10%~+95%RH
Storage temperature: -40°C~+85°C
Storage Humidity: 10%~95%RH
thermal shock: -40°C~+85°C,
Damp Heat: 40°C,90%RH,10days.
Salt-Mist: 35°C,5%NaCl,24HR

Wellco T&C Co., Ltd.

Model No: C716(w/ post)

SIM Card Connector

REVISION:1.0

DATE: OCT.10. 2006