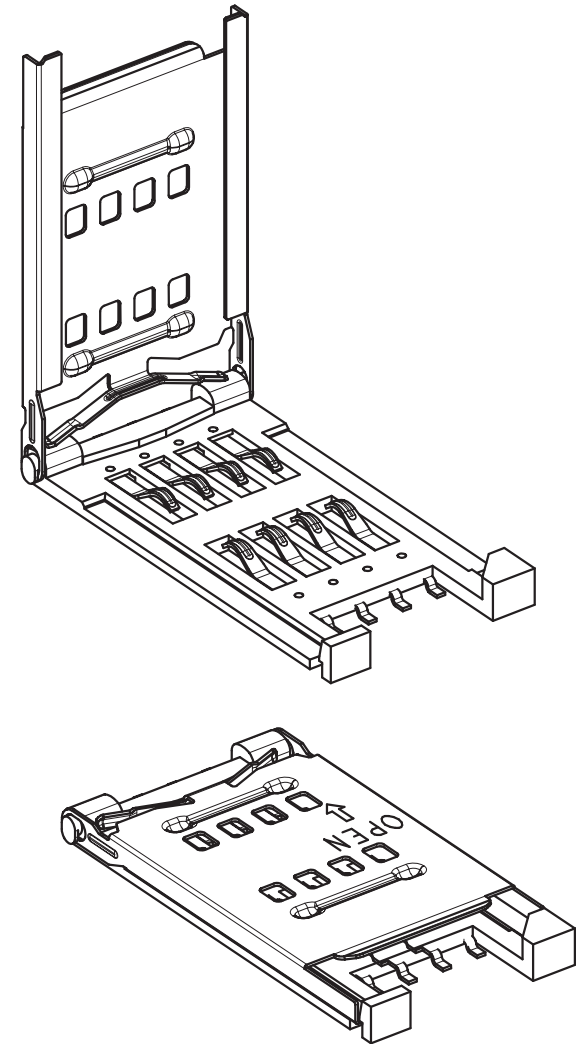


RECOMMENDED PCB LAYOUT



## TECHNICAL CHARACTERISTICS

### 1.General Characteristics

Dimensions: 30.00L x16.15W x2.74H mm  
 Weight: Approx 1.0±0.2g  
 Contact principle:Friction technology  
 Operating position:shaft up/down/horizontal  
 Mounting System:SMT(Post optional))  
 Durability:5000 cycles min.

### 2.Mechanical characteristics:

Insulation material:Thermoplastic,UL 94V-0

### 3.Electrical Characteristics

Number of contacts (Optional):8pins  
 contact resistance:50mΩtypical,100mΩmax  
 insulation resistance:>1000MΩ/500V DC

### 4.Solderability

wave:Not applicable  
 Vaporphase: 215°C, 30sec. Max  
 IR reflow: 230°C,15sec.Max  
 Manual soldering :360°C,3sec.Max

### 5.Environmental Characteristics

Operating temperature: -40°C~+85°C  
 Operating humidity :10%~+95%RH  
 Storage temperature: -40°C~+85°C  
 Storage Humidity:10%~95%RH  
 thermal shock: -40°C~+85°C,5cycles  
 Damp Heat: 40°C,90%RH,10days.  
 Salt-Mist: 35°C,5%NaCl,24HR

**Wellco T&C Co., Ltd.**

**Smart Card Acceptor**

**Model No.: C714**

**SIM Card Connector**

**REVISION:1.0**

**DATE:Apr.9. 2009**