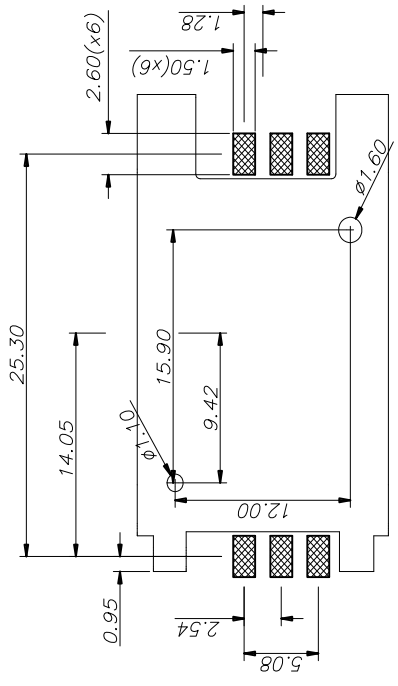
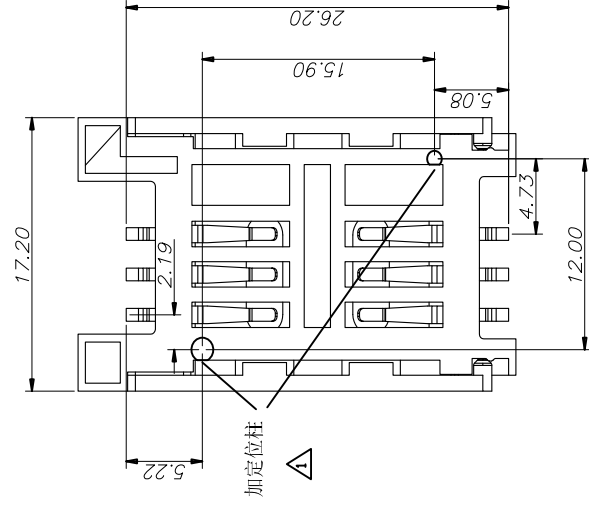


SEC A-A



RECOMMEND PCB LAYOUT
TOLERANCE±0.05MM
TOP VIEW

A.Material:

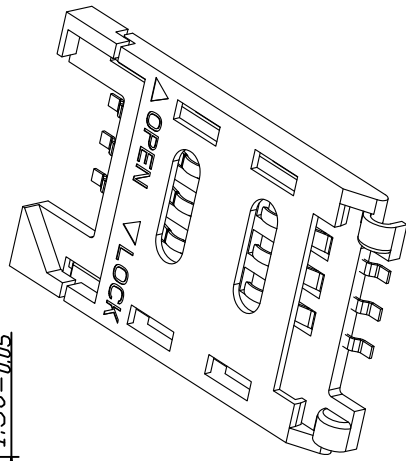
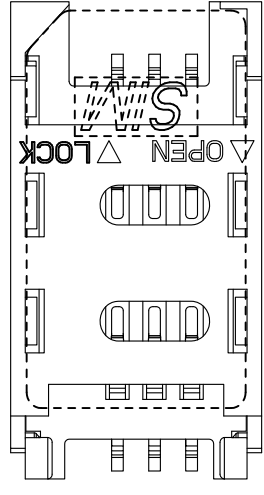
- 1.Insulator:High temperature thermoplastic 9T UL94V-0,(BLACK)
- 2.Pho.Bronze:Plating, 50-80U" MIN NICKEL UNDERPLATED; 1-3U" GOLD ON THE CONTACT AREA; 80U" TIN PLATING ON SOLDER TAIL

B.Electrical specifications:

- Voltage rating: 12 V AC
- Current rating: 0.5A
- Dielectric strength: 500V AC for 1 minute min
- Insulation resistance: 1000 M ohm
- Contact resistance: 50 mill.ohm max
- Operation temperature: -40°C to +105°C
- Product withstanding rff low soldering 260°C for 10s

C.Mechanical specifications:

- 3.1 Durability: 5000 cycles



<p>Wellco T&C Co., Ltd.</p>		<p>Scale Unit Size</p>	<p>Not mm</p>	<p>Gen.Tolerance .X ± 0.20 .XX ± 0.08 .XXX ± 0.05 ∠±1°</p>	<p>P/N # 713W6</p>		<p>This spec drawing is under the property of Wellco T&C Co., Ltd.</p>		<p>Rev. A</p>	<p>DRW by Amy July 07 2015</p>
					<p>Sim card connector</p>		<p>Page 1-1</p>	<p>CHK by Long July 11 2015</p>	<p>APP by Chin July 11 2015</p>	