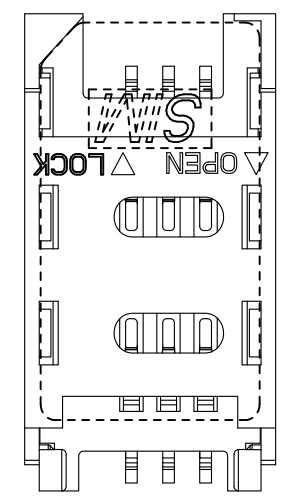
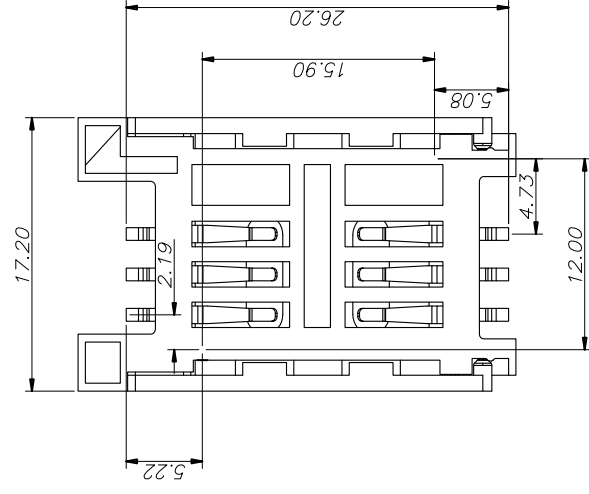
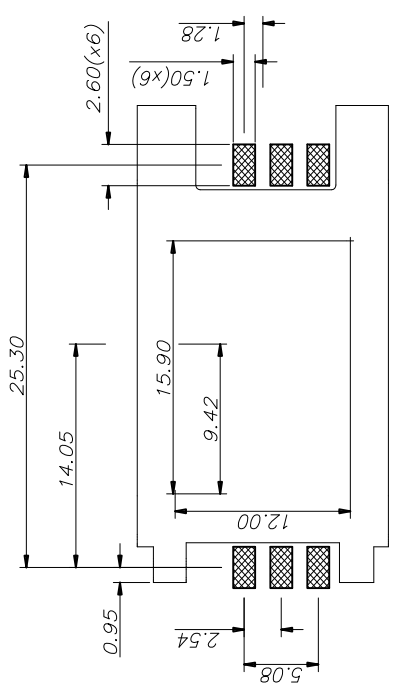


SEC A-A



STATE OF LOCK



RECOMMEND PCB LAYOUT
TOLERANCE±0.05MM
TOP VIEW

A. Material:

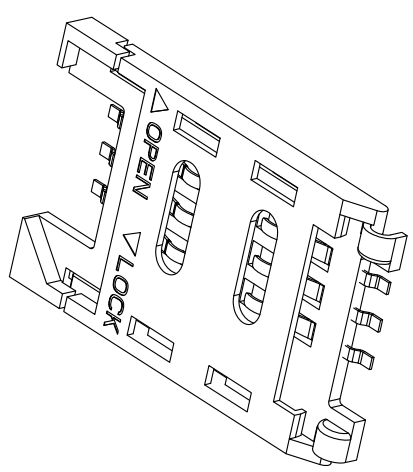
1. Insulator: High temperature thermoplastic 9T UL94V-0, (BLACK)
2. Pho. Bronze: Plating, 50-80U" MIN NICKEL UNDERPLATED; 1-3U" GOLD ON THE CONTACT AREA; 80U" TIN PLATING ON SOLDER TAIL

B. Electrical specifications:

- Voltage rating: 12 V AC
- Current rating: 0.5A
- Dielectric strength: 500V AC for 1 minute min
- Insulation resistance: 1000 M ohm
- Contact resistance: 50 mill.ohm max
- Operation temperature: -40°C to +105°C
- Product withstanding rff low soldering 260°C for 10s

C. Mechanical specifications:

- 3.1 Durability: 5000 cycles



<p>Wellco T&C Co., Ltd.</p>		Gen. Tolerance	Scale	Not	<p>P/N # 713W6-NP</p> <p>Sim card connector</p>	<p>This spec drawing is under the property of Wellco T&C Co., Ltd.</p>	<p>Rev. A</p> <p>Page 1-1</p>	<p>DRW by</p> <p>CHK by</p> <p>APP by</p>	<p>Amy July 07 2015</p> <p>Long July 11 2015</p> <p>Chin July 11 2015</p>
		<p>.X ± 0.20</p> <p>.XX ± 0.08</p> <p>.XXX ± 0.05</p> <p>∠±1°</p>	<p>Unit</p> <p>Size</p>	<p>mm</p> <p>mm</p>					