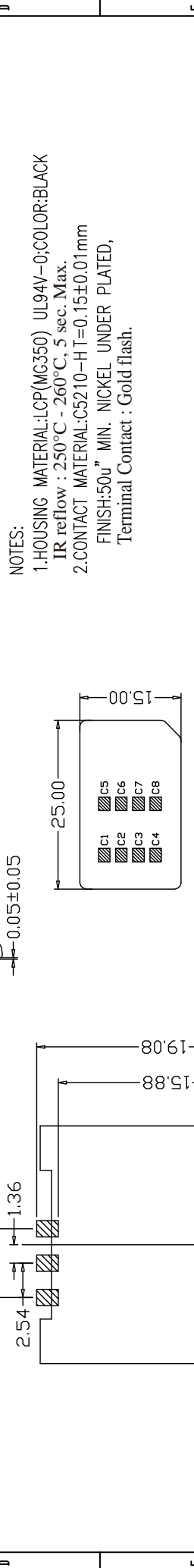
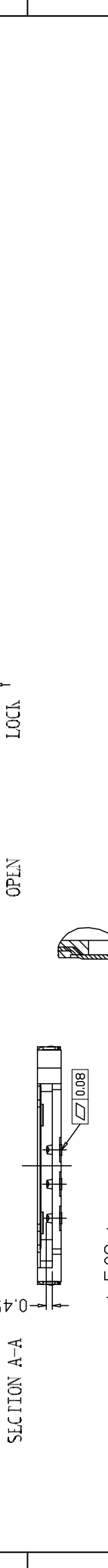
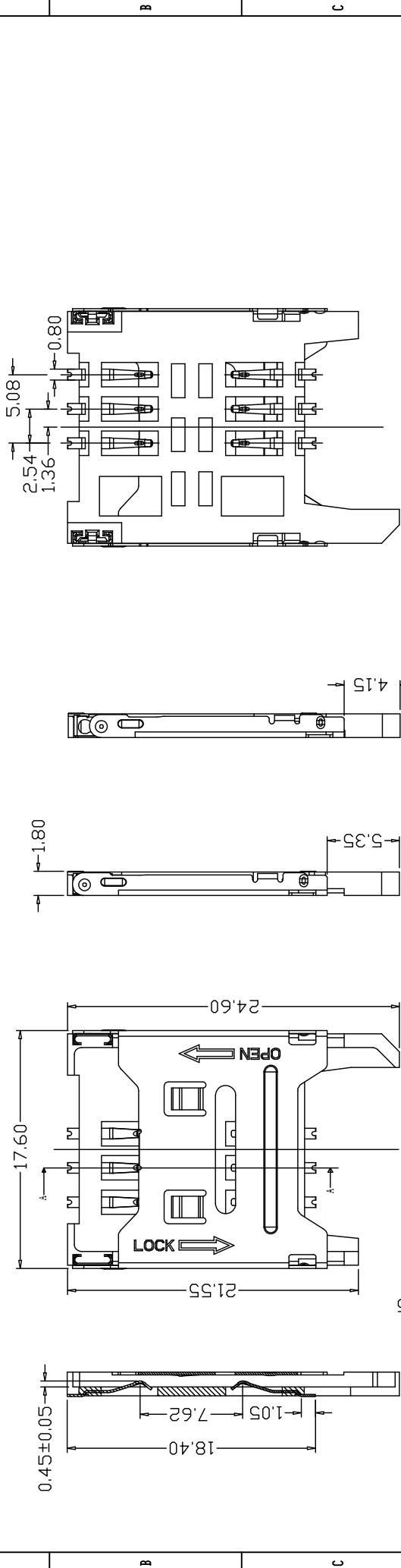


ROHS

1	2	3	4	5	6	7	8
ITEM		PART NAME	MATERIAL	NUM	COLOR	FINISHING	REMARK



REV.		REVISION/NOTE	DATE	TOLERANCE	Part No: 709W6		
A	新发行			X. ±0.38	X.* ±4°	Wellco T&C Co., Ltd.	
				X.X ±0.25	X.X* ±2°	ARTICLE: SLIM卡座1.8H掀盖式6PIN	
				X.XX ±0.20		MODEL XX-XXXXXX	
				X.XXX ±0.15		REV: A	
DRAWN		Hans Xia		PROJECTION		UNIT: mm	
DES'D				SCALE: 1:1		SHEET: 1/1	
CHK'D							
APPV'D							