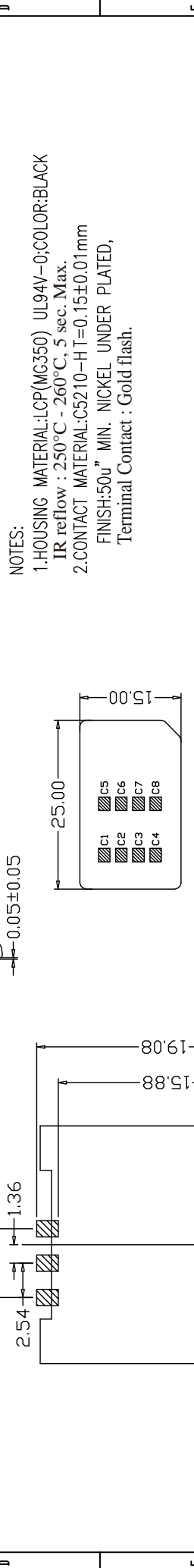
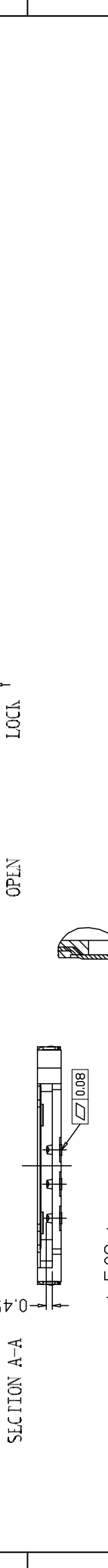
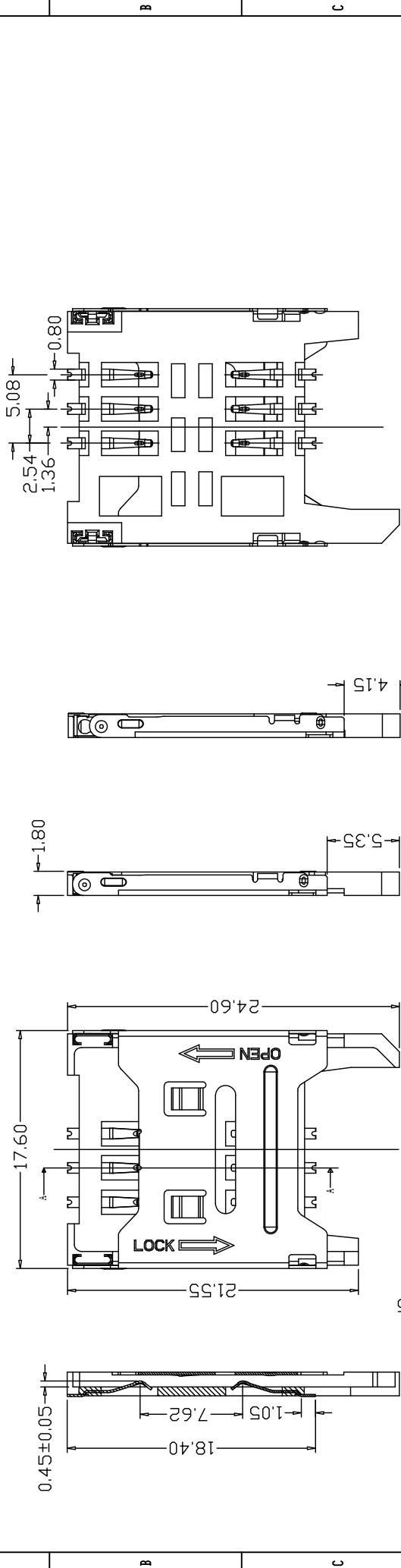


ROHS

1	2	3	4	5	6	7	8
ITEM		PART NAME	MATERIAL	NUM	COLOR	FINISHING	REMARK



NOTES:  
 1. HOUSING MATERIAL: LCP(MG350) UL94V-0; COLOR: BLACK  
 IR reflow : 250°C - 260°C, 5 sec. Max.  
 2. CONTACT MATERIAL: C5210-HT=0.15±0.01mm  
 FINISH: 50u" MIN. NICKEL UNDER PLATED,  
 Terminal Contact : Gold flash.

REV.		REVISION/NOTE	DATE	TOLERANCE	Part No: 709W6		
A		新发行		X. ±0.38 X.X ±0.25 X.XX ±0.20 X.XXX ±0.15	Wellco T&C Co., Ltd.		
DRAWN Hans Xia				PROJECTION	ARTICLE: SLIM卡座1.8H掀盖式6PIN		
DES'D					MODEL	XX-XXXXXX	REV: A
CHK'D							
APPV'D				SCALE: 1:1	UNIT: mm	SHEET: 1/1	