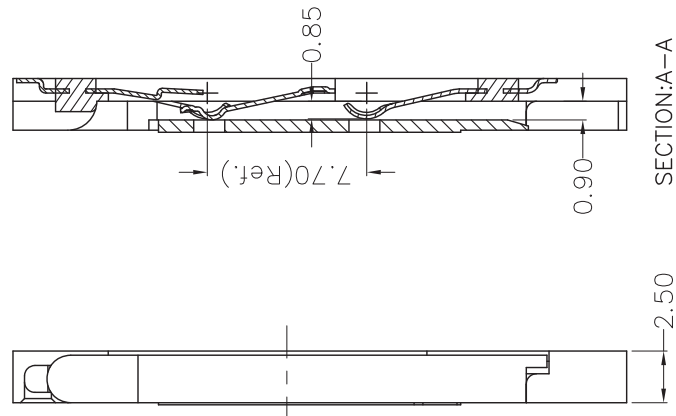
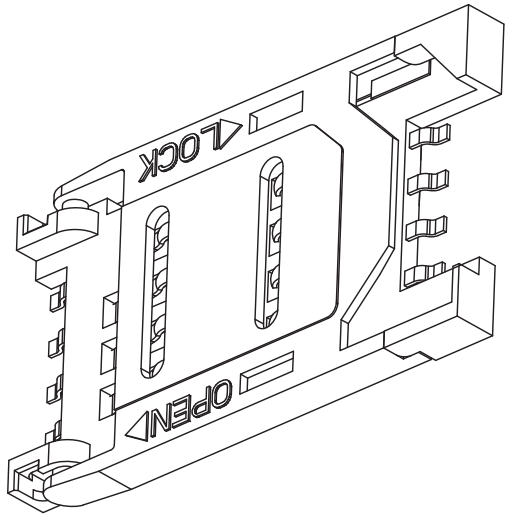
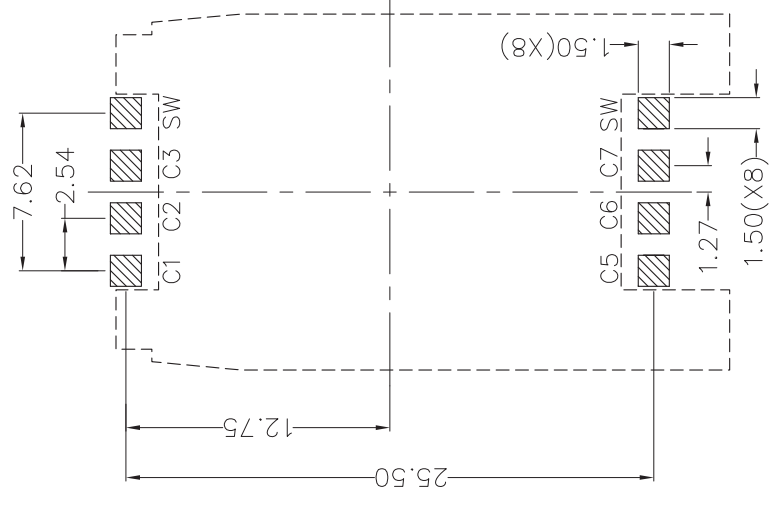
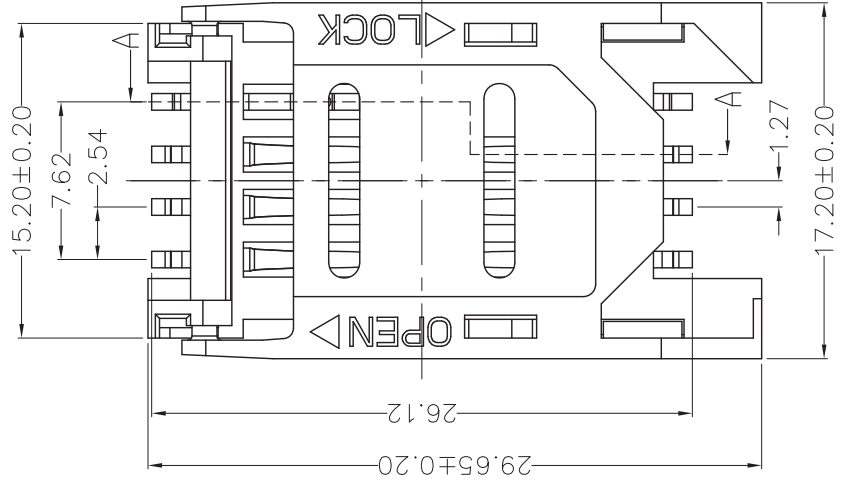


1	2	3	4	5	6	7	8
REV.	DESCRIPTION OF REVISIONS	APPR.	DRAW.	RELEASE	DATE		
X1							
X2							



TECHNICAL CHARACTERISTICS

- General Characteristics
 - Dimensions: 29.65X17.20WX2.50H mm
 - Weight: Approx 1.20g
 - Durability: 5,000 cycles min.
- Electrical Characteristics
 - Contact resistance: 50mΩ typical, 100mΩ max
 - Insulation resistance: >1000MΩ/500V DC
- Solderability
 - Vapor phase: 215°C, 30sec.Max
 - IR reflow: 250°C, 5sec.Max
 - Manual soldering: 370°C, 3sec.Max
- Environmental Characteristics
 - Operating temperature: -40°C~+85°C
 - Operating humidity: 10%~+95%RH

ELECTRIC FUNCTION	DETECT SWITCH
WITHOUT CARD	OPEN
CARD INSERTED	CLOSED



RECOMMENDED P.C.B LAYOUT
COMPONENT SIDE(TOLERANCE ±0.05)

ITEM	PART NAME	Q'TY	MATERIAL	FINISH
1	BASE	1	Hi-temp Thermoplastic	Black UL94V-0
2	COVER	1	Hi-temp Thermoplastic	Black UL94V-0
3	DATA CONTACT	6	Copper Alloy	Contact area:Gold plated
4	SWITCH CONTACT 2	1	Copper Alloy	Contact area:Gold plated
5	SWITCH CONTACT 1	1	Copper Alloy	Contact area:Gold plated

Unless otherwise specified, other tolerance are:

X	±0.35	X'	±5'	NAME:	Smart Card Acceptor
X.X	±0.25	X.X'	±4'	MODEL NO.:	703
X.XX	±0.15	X.XX'	±3'	TYPE :	without post
X.XXX	±0.10	X.XXX'	±2'	DRAWN	Zoey Jan.15.2010 [DWG NO. : 703-002
PROJ.	UNIT	SCALE		CHECKED	Jimmy Jan.15.2010 REVISION
	mm	1:1		APPROVAL	Simon Jan.15.2010 SHEET
					1/1 X1



Wellco T&C Co., Ltd.