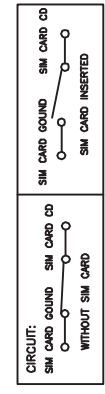
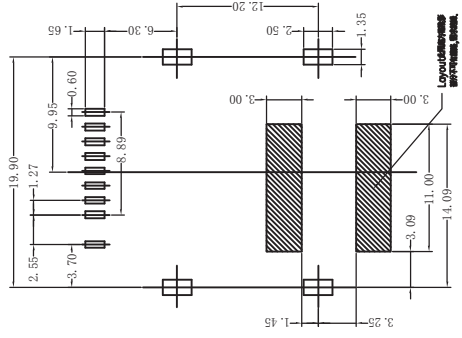
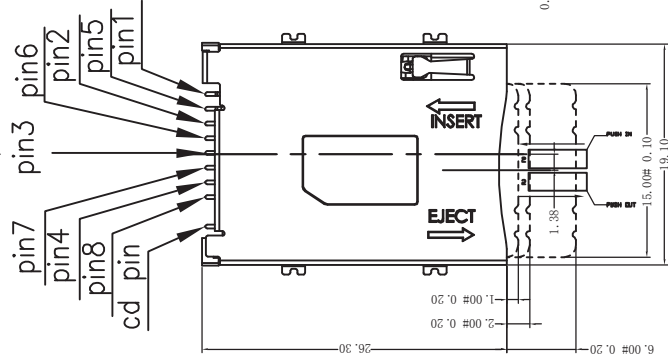
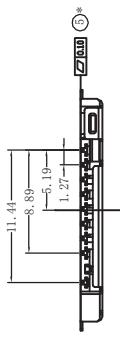


REVNO	REVISION NOTE	DATE	DRAW	CHECK
A/0	RELEASED	09/5/20	1"	



Pin Assignment:

SIM #1	SIM VCC
SIM #2	SIM RST
SIM #3	SIM CLK
SIM #4	SIM Reserve
SIM #5	SIM GND
SIM #6	SIM VPP
SIM #7	SIM I/O
SIM #8	SIM Reserve

Specification

Material:
 Housing: High Temperature Thermoplastic
 Color: Black UL 94V-0
 Contacts: Phosphor Bronze
 Shell: stainless steel

Plating:
 Contacts: Plated 50 μ" Ni Overall
 Plated Au Selective Contact Area
 Plated 100 μ" Sn Over Nickel On Solder Area

Specification:
 Current Rating : 0.5A MAX.
 Contact Resistance: 100mΩ max
 Insulation Resistance: 1000MΩ min. 500VDC
 Dielectric Withstanding Voltage: 500VAC/minute
 Operating Temperature: -25°C to +85°C
 Mating Cycles: 7000 Insertions

Usable Memory Card:
 SIM CARD

<p>Wellco T&C Co., Ltd.</p>		<p>PROD. SPEC.</p>	<p>TITLE: SIM CARD CONNECTOR (A)</p>
<p>TOLERANCE UNLESS OTHERWISE SPECIFIED</p>		<p>PKG. SPEC.</p>	<p>PROJ.</p>
<p>.X±0.10</p>	<p>X*±1*</p>	<p>APR.</p>	<p>PART_NUMBER: SM-01A-A-A0</p>
<p>.XX±0.05</p>	<p>.X*±0.5*</p>	<p>CHK.</p>	<p>FILE NO.</p>
<p>.XXX±0.03</p>	<p>.XX*±0.3*</p>	<p>DRA.</p>	<p>REV: A/1</p>
		<p>SHEET 1/1</p>	<p>SCALE: 1:1</p>