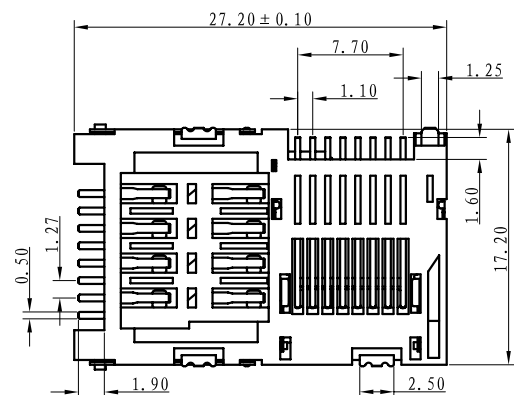
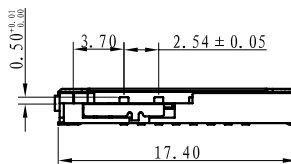
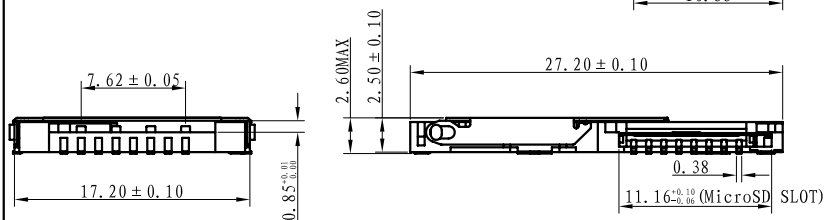
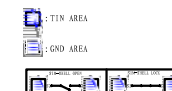
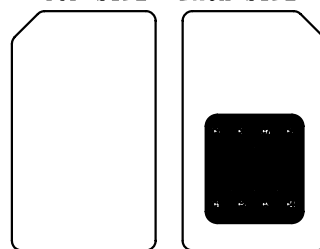


RECOMMEND PCB LAYOUT



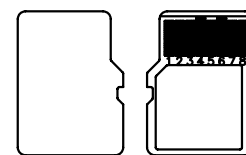
SIM CARD

TOP SIDE BACK SIDE



Micro SD CARD

TOP SIDE BACK SIDE



Micro SD CARD				SIM CARD	
Pin No.	NAME	TYPE	DESCRIPTION	Pin No.	NAME
1	DAT2	I/O/PP	Data Line[bit2]	C1	VCC
2	CD/DAT3	I/O/PP	Card Detect Date Line[bit3]	C2	RST
3	CMD	PP	Command Response	C3	CLK
4	VDD	S	Supply Voltage	C4	Reserved
5	CLK	I	Clock	C5	GND
6	VSS	S	Supply Voltage Ground	C6	VPP
7	DAT0	I/O/PP	Data Line[bit0]	C7	I/O
8	DAT1	I/O/PP	Data Line[bit1]	C8	Reserved

TECHNICAL CHARACTERISTICS

1.General Characteristics

Dimensions: 27.20L X 17.20W X 2.50H mm
 Weight: Approx 1.2g
 Contact principle: Friction technology
 Operating position: shaft up/down/horizontal
 Mounting System: SMT Type(without Post)
 Durability: 3,000 cycles min.

2.Mechanical characteristics:

Insulation material: Thermoplastic, UL 94V-0

3.Electrical Characteristics

Number of contacts: 8Pin SIM+8Pin TF
 contact resistance: 50mΩ typical, 100mΩ max
 insulation resistance: >1000MΩ/500Vdc

4.Solderability

wave: Not applicable
 Vaporphase: 215°C, 30sec. Max
 IR reflow: 260°C, 10sec. Max
 Manual soldering : 360°C, 3sec. Max

5.Environmental Characteristics

Operating temperature: -40°C~+85°C
 Operating humidity : 10%~+95%RH
 Storage temperature: -40°C~+85°C
 Storage Humidity: 10%~95%RH
 thermal shock: -40°C~+85°C, 5cycles
 Damp Heat: 40°C, 90%RH, 500HR.
 Salt-Mist: 35°C, 5%NaCl, 48H

Wellco T&C Co., Ltd.

SIM+MicroSD 2 IN 1 CONN

Model No.: M619

Memory Card Connector

REVISION: 1.0

DATE: 2009.11.20