

機密文件

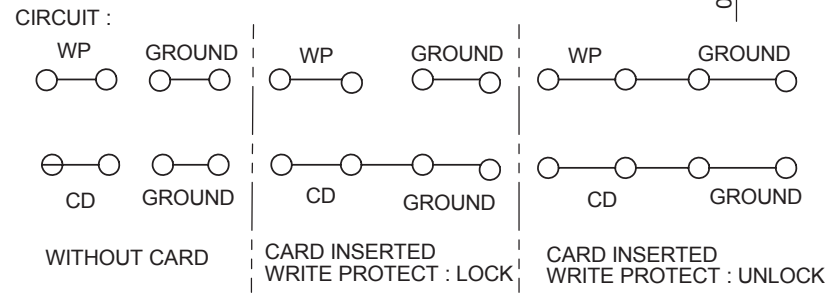
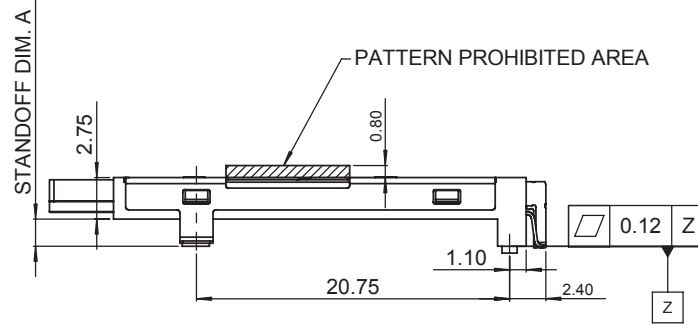
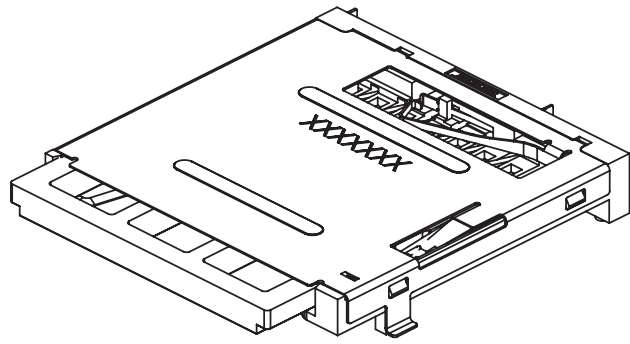
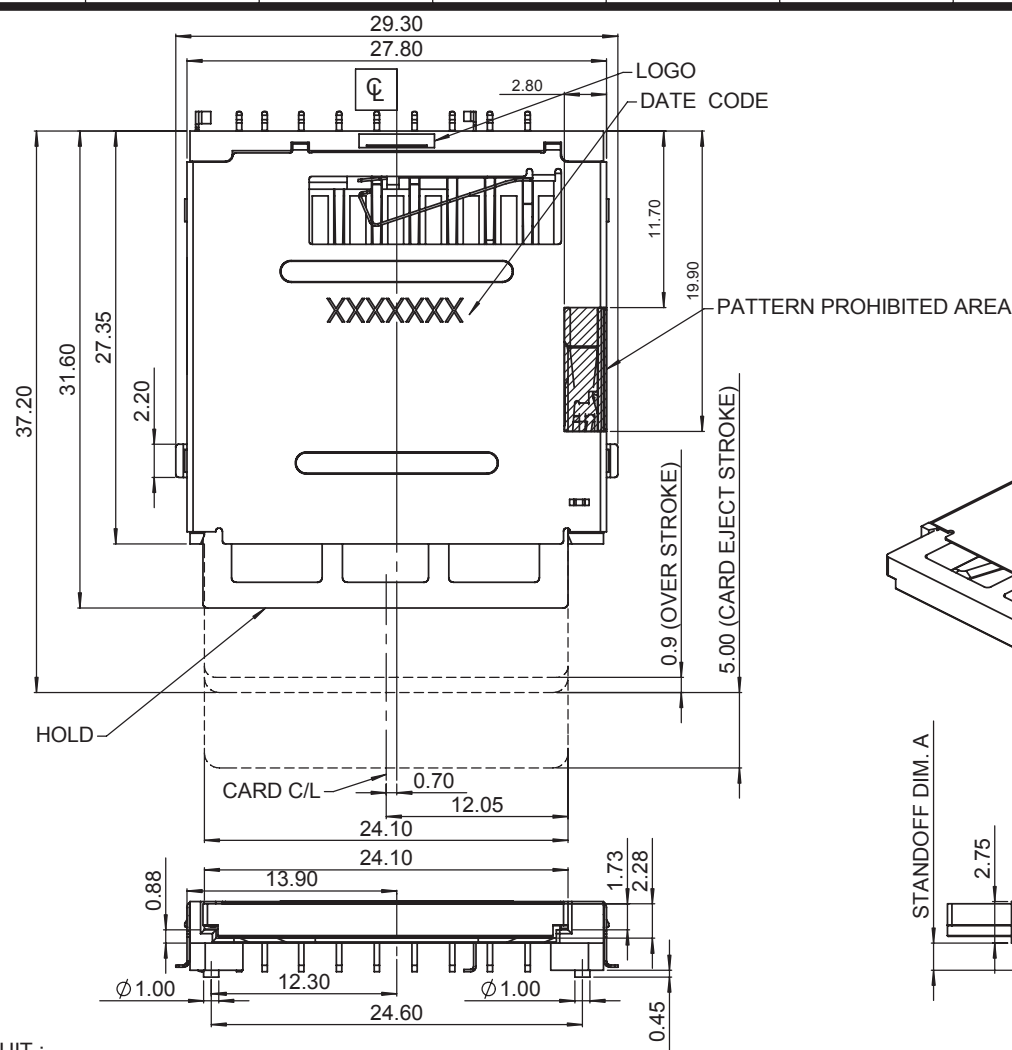
REV.	MODIFICATION	DRAWN	APPROVED
A		董志華	LEO

- NOTES:
- MATERIAL :
INSULATOR : HIGH TEMPERATURE THERMOPLASTIC
FLAMMABILITY RATING : UL94V-0 COLOR : BLACK
CONTACT : COPPER ALLOY
 - CONTACT AREA PLATING : GOLD OVER Ni
 - COPLANARITY:0.12mm MAX.
 - MULTIMEDIA CARD COMPATIBLE
 - WP :WRITE PROTECT
CD :CARD DETECT INDICATION
 - P/N : SDS 012 - X 0 - 2 X X 1

STAND OFF DIM. A:
0 : 0.0mm
1 : 1.5mm
2 : 1.8mm
3 : 2.0mm

TYPE:
0:WITH DATE CODE / LOGO
1:W/O DATE CODE / WITH LOGO

TIN/LEAD PLATING:
0 : GOLD FLASH
2 : 10u" GOLD
UN LEAD PLATING:
A : GOLD FLASH
C : 10u" GOLD

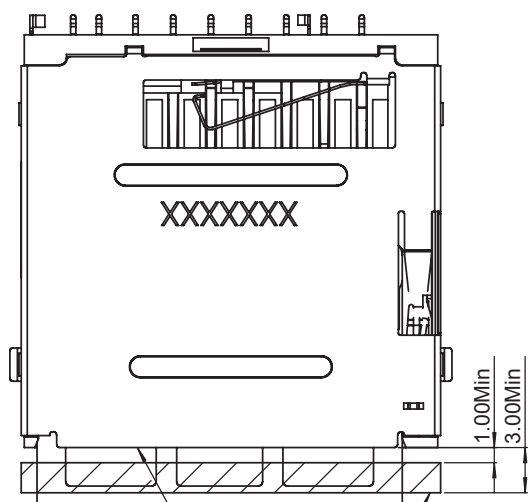
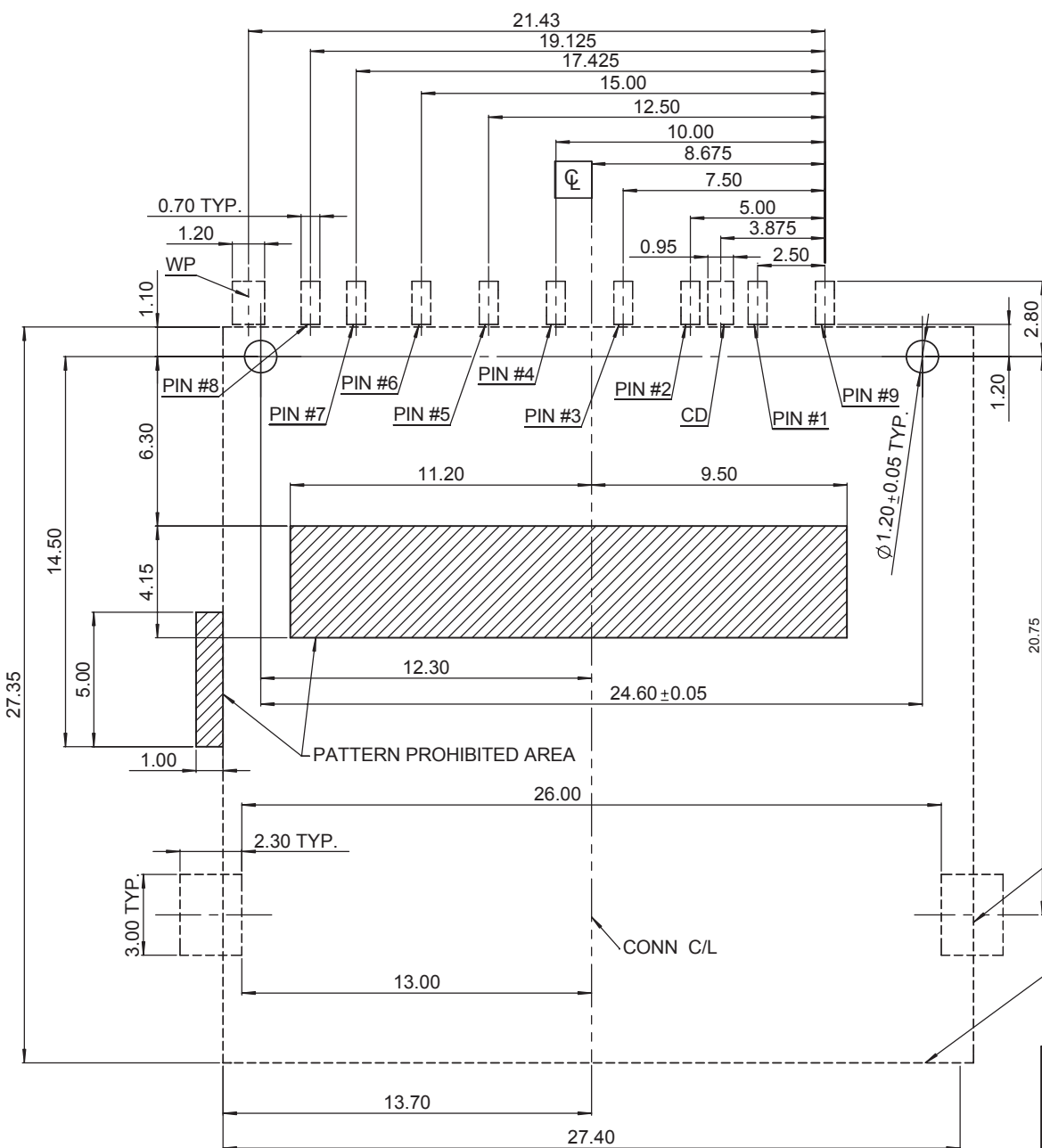


1.THIS PRODUCT DOESN'T CONTAIN ENVIRONMENTAL HAZARDOUS MATERIALS PER DIRECTIVE 2002/95/EC FOR RoHS.
2.ALL RIGHTS RESERVED,PRODUCTS ARE COVERED BY PATENTS AND/OR PATENTS PENDING.

GENERAL TOLERANCE		Wellco T&C Co., Ltd.	
X± 0.40	X.°± 5°		
.X± 0.30	.X°± 2°		
.XX± 0.20	.XX°± 1°		
.XXX± 0.10	.XXX°± 0.5°	TITLE	SD Card Connector Normal Push Type
CUSTOMER DRAWING		PART NO. SDS012-X0-2XX1	DWG NO. SDS012-07-A
APPROVAL <i>[Signature]</i>	CHECKED <i>[Signature]</i>	DRAWN... <i>[Signature]</i>	UNIT mm
		SCALE NONE	SHEET 1 / 2
		PROJ. 	REV. A

機密文件

REV.	MODIFICATION	DRAWN	APPROVED
A		董志華	LEO



HOLD CASE EDGE CONNECTOR EDGE

RECOMMEND CASE EDGE DIMENSION

#09	DAT 2
#08	DAT 1
#07	DAT 0
#06	VSS 2
#05	CLK
#04	VDD
#03	VSS
#02	CMD
#01	DAT 3
PIN NO.	DESCRIPTION

GENERAL TOLERANCE	
X ± 0.40	X. ^o ± 5°
.X ± 0.30	.X. ^o ± 2°
.XX ± 0.20	.XX. ^o ± 1°
.XXX ± 0.10	.XXX. ^o ± 0.5°

Wellco T&C Co., Ltd.
 TITLE SD Card Connector Normal Push Type



1. THIS PRODUCT DOESN'T CONTAIN ENVIRONMENTAL HAZARDOUS MATERIALS PER DIRECTIVE 2002/95/EC FOR RoHS.
 2. ALL RIGHTS RESERVED. PRODUCTS ARE COVERED BY PATENTS AND/OR PATENTS PENDING.

CUSTOMER DRAWING		PART NO. SDS012-X0-2XX1	DWG NO. SDS012-07-A
APPROVAL	CHECKED	DRAWN	UNIT mm
<i>[Signature]</i>	<i>[Signature]</i>	<i>[Signature]</i>	SCALE NONE SHEET 2 / 2
			PROJ. REV. A