

機密文件

REV.	MODIFICATION	DRAWN	APPROVED
------	--------------	-------	----------

A		董志華	LEO
---	--	-----	-----

NOTES:

- MATERIAL :
INSULATOR : HIGH TEMPERATURE THERMOPLASTIC
FLAMMABILITY RATING : UL94V-0 COLOR : BLACK
CONTACT : COPPER ALLOY
- CONTACT AREA PLATING : GOLD OVER Ni
- COPLANARITY:0.12mm MAX.
- MULTIMEDIA CARD COMPATIBLE
- WP :WRITE PROTECT
CD :CARD DETECT INDICATION
- P/N : SDS 012 - X 0 - 2 X X 1

STAND OFF DIM. A:

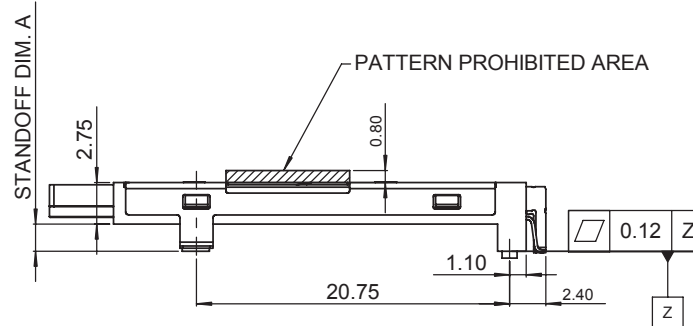
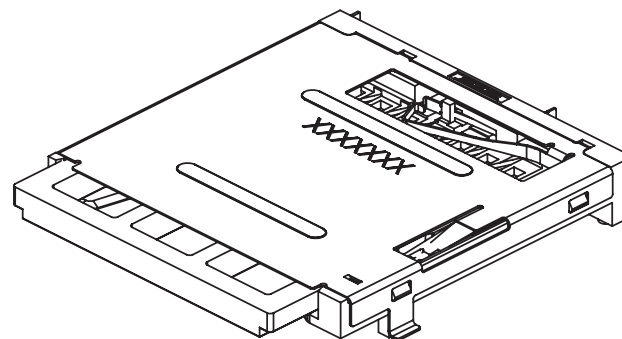
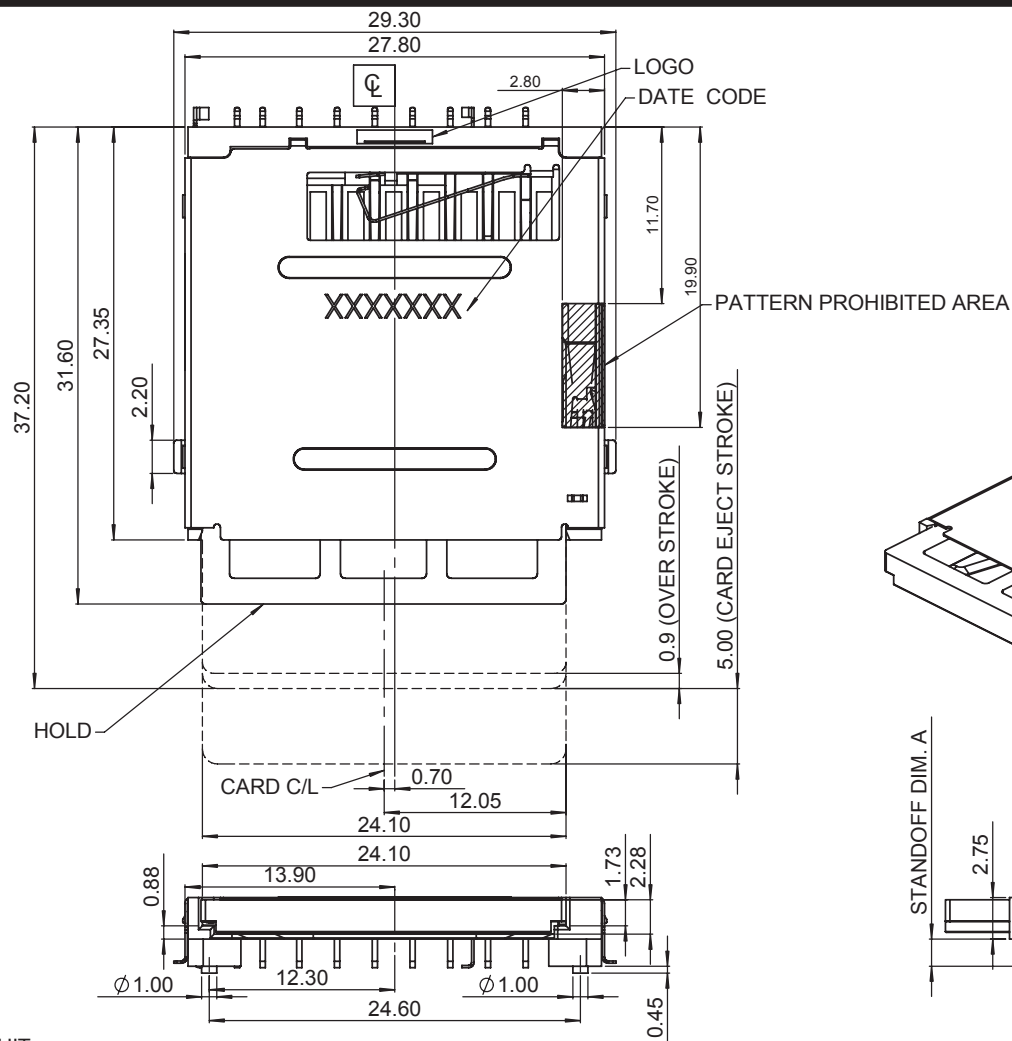
- 0 : 0.0mm
- 1 : 1.5mm
- 2 : 1.8mm
- 3 : 2.0mm

TYPE:

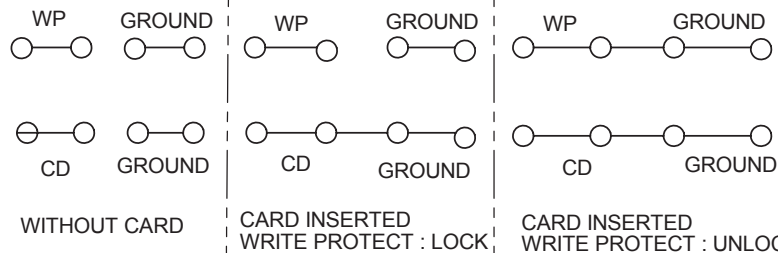
- 0:WITH DATE CODE / LOGO
- 1:W/O DATE CODE / WITH LOGO

TIN/LEAD PLATING:

- 0 : GOLD FLASH
- 2 : 10u" GOLD
- UN LEAD PLATING:
- A : GOLD FLASH
- C : 10u" GOLD



CIRCUIT :



1.THIS PRODUCT DOESN'T CONTAIN ENVIRONMENTAL HAZARDOUS MATERIALS PER DIRECTIVE 2002/95/EC FOR RoHS.
2.ALL RIGHTS RESERVED,PRODUCTS ARE COVERED BY PATENTS AND/OR PATENTS PENDING.

GENERAL TOLERANCE	
X± 0.40	X.°± 5°
.X± 0.30	.X°± 2°
.XX± 0.20	.XX°± 1°
.XXX± 0.10	.XXX°± 0.5°

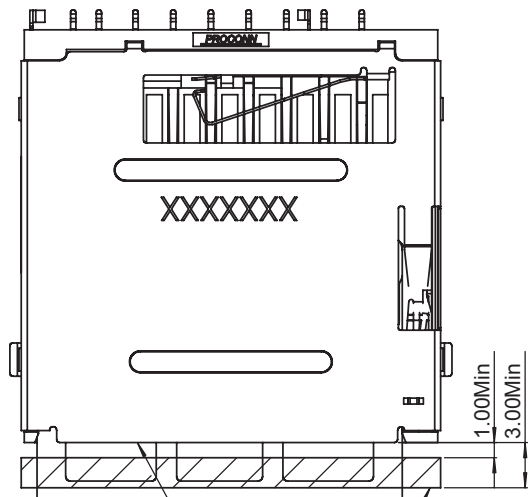
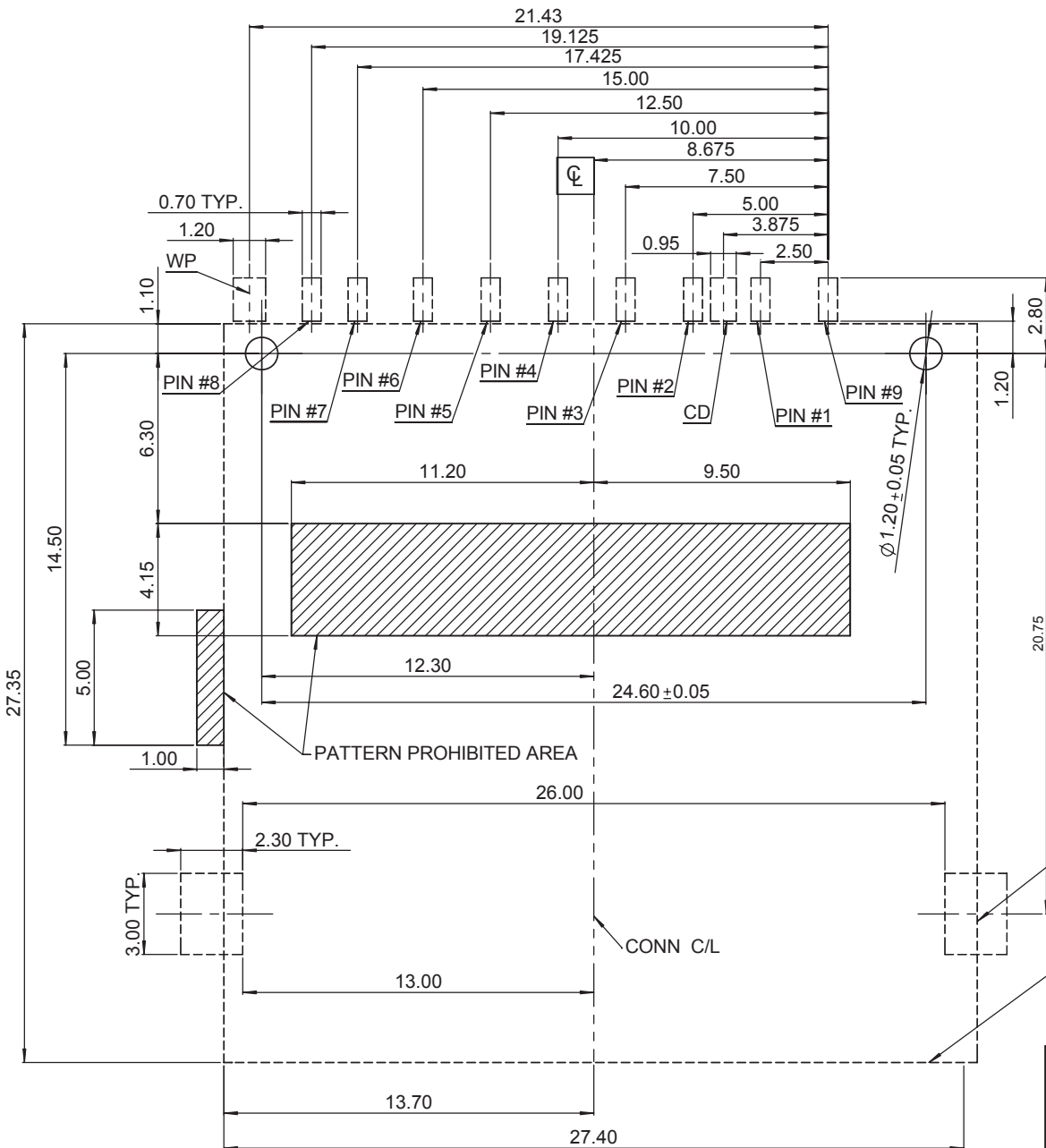
Wellco T&C Co., Ltd.

TITLE
SD Card Connector
Normal Push Type

CUSTOMER DRAWING		PART NO. SDS012-X0-2XX1	DWG NO. SDS012-07-A
APPROVAL <i>[Signature]</i>	CHECKED <i>[Signature]</i>	DRAWN... <i>[Signature]</i>	UNIT mm
		SCALE NONE	SHEET 1 / 2
		PROJ. 	REV. A

機密文件

REV.	MODIFICATION	DRAWN	APPROVED
A		董志華	LEO



HOLD
CASE EDGE
CONNECTOR EDGE

RECOMMEND CASE EDGE DIMENSION

#09	DAT 2
#08	DAT 1
#07	DAT 0
#06	VSS 2
#05	CLK
#04	VDD
#03	VSS
#02	CMD
#01	DAT 3
PIN NO.	DESCRIPTION

GENERAL TOLERANCE	
X ± 0.40	X. ^o ± 5°
.X ± 0.30	.X. ^o ± 2°
.XX ± 0.20	.XX. ^o ± 1°
.XXX ± 0.10	.XXX. ^o ± 0.5°

Wellco T&C Co., Ltd.
TITLE
SD Card Connector
Normal Push Type



1. THIS PRODUCT DOESN'T CONTAIN ENVIRONMENTAL HAZARDOUS MATERIALS PER DIRECTIVE 2002/95/EC FOR RoHS.
2. ALL RIGHTS RESERVED. PRODUCTS ARE COVERED BY PATENTS AND/OR PATENTS PENDING.

CUSTOMER DRAWING		PART NO. SDS012-X0-2XX1	DWG NO. SDS012-07-A
APPROVAL <i>[Signature]</i>	CHECKED <i>[Signature]</i>	DRAWN <i>[Signature]</i>	UNIT mm
		SCALE NONE	SHEET 2 / 2
		PROJ. 	REV. A