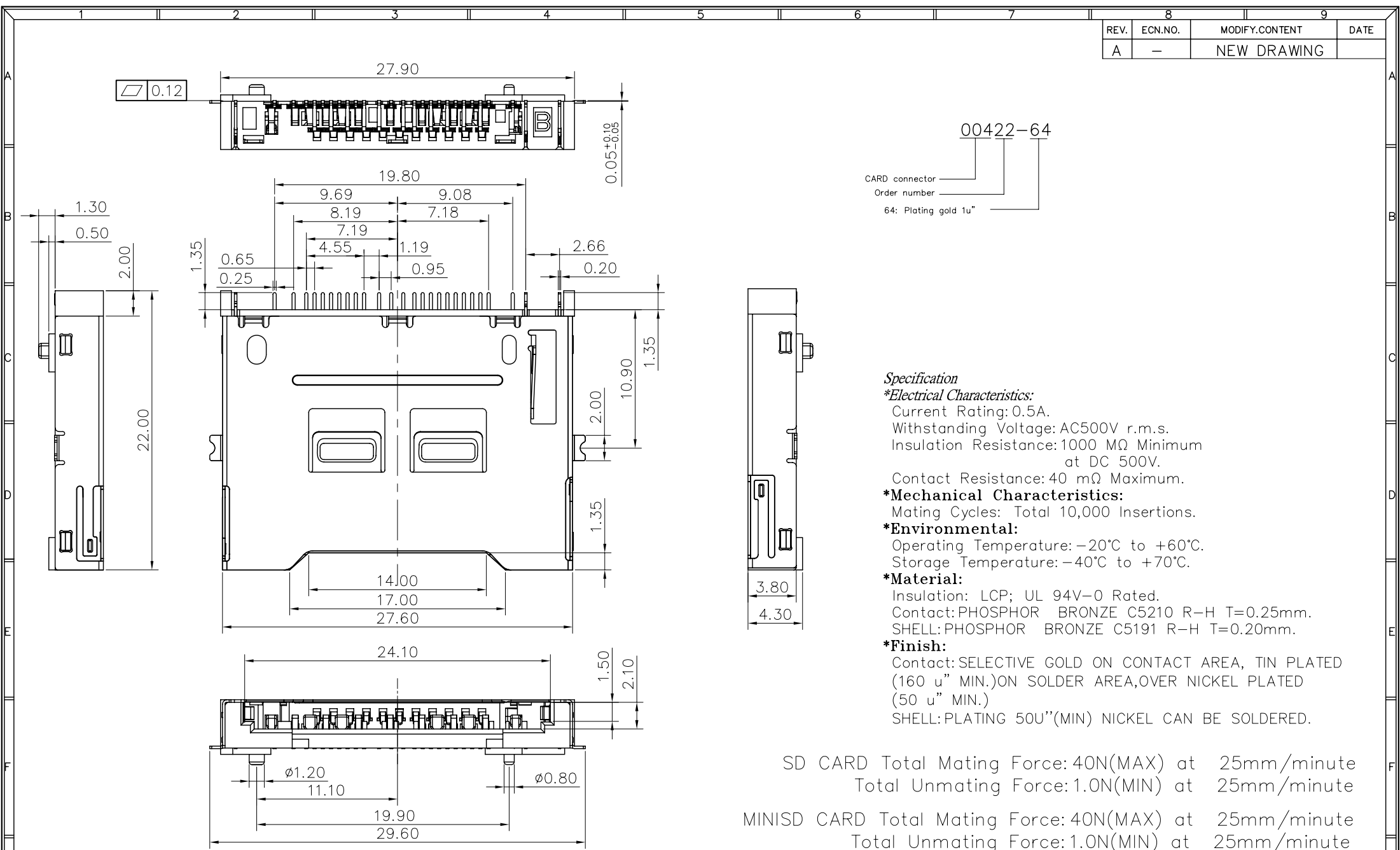


REV.	ECN.NO.	MODIFY.CONTENT	DATE
A	-	NEW DRAWING	



00422-64
 CARD connector
 Order number
 64: Plating gold 1u"

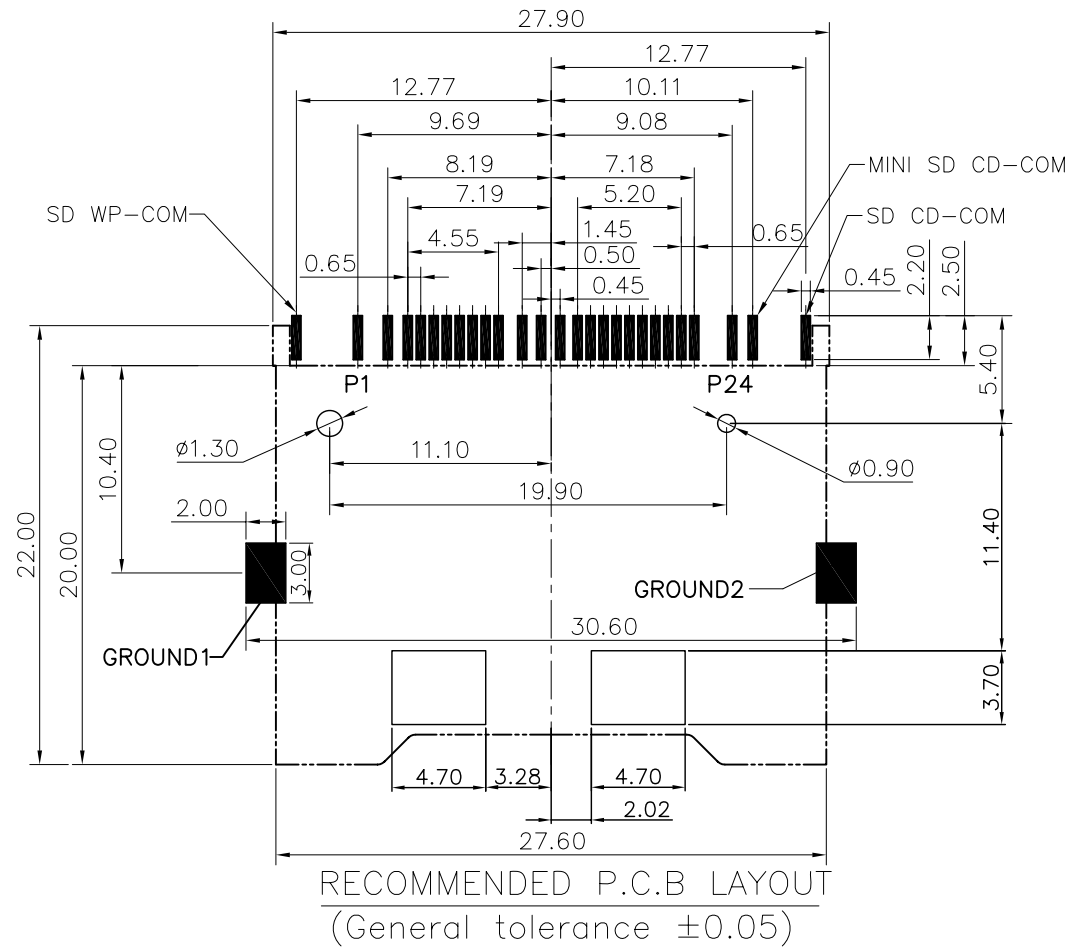
Specification
***Electrical Characteristics:**
 Current Rating: 0.5A.
 Withstanding Voltage: AC500V r.m.s.
 Insulation Resistance: 1000 MΩ Minimum at DC 500V.
 Contact Resistance: 40 mΩ Maximum.
***Mechanical Characteristics:**
 Mating Cycles: Total 10,000 Insertions.
***Environmental:**
 Operating Temperature: -20°C to +60°C.
 Storage Temperature: -40°C to +70°C.
***Material:**
 Insulation: LCP; UL 94V-0 Rated.
 Contact: PHOSPHOR BRONZE C5210 R-H T=0.25mm.
 SHELL: PHOSPHOR BRONZE C5191 R-H T=0.20mm.
***Finish:**
 Contact: SELECTIVE GOLD ON CONTACT AREA, TIN PLATED (160 u" MIN.) ON SOLDER AREA, OVER NICKEL PLATED (50 u" MIN.)
 SHELL: PLATING 50u"(MIN) NICKEL CAN BE SOLDERED.

SD CARD Total Mating Force: 40N(MAX) at 25mm/minute
 Total Unmating Force: 1.0N(MIN) at 25mm/minute
 MINISD CARD Total Mating Force: 40N(MAX) at 25mm/minute
 Total Unmating Force: 1.0N(MIN) at 25mm/minute

GENERAL TOLERANCE		FILE.NO.	00422	PART.NO.	00422-64	DRAWN	Barry	MATERIAL		SCALE	FULL
X.±0.25	X.±5°	REV.	A	TITLE	6IN1 CONNECTOR	CHECKED	Owen	DATE		UNITS	MM
.X±0.20	.X±2°	SIZE		SHEET	1 OF 3	APPROVED	Terry	Wellco T&C CO., LTD			
.XX±0.15	.XX±1°	A4									

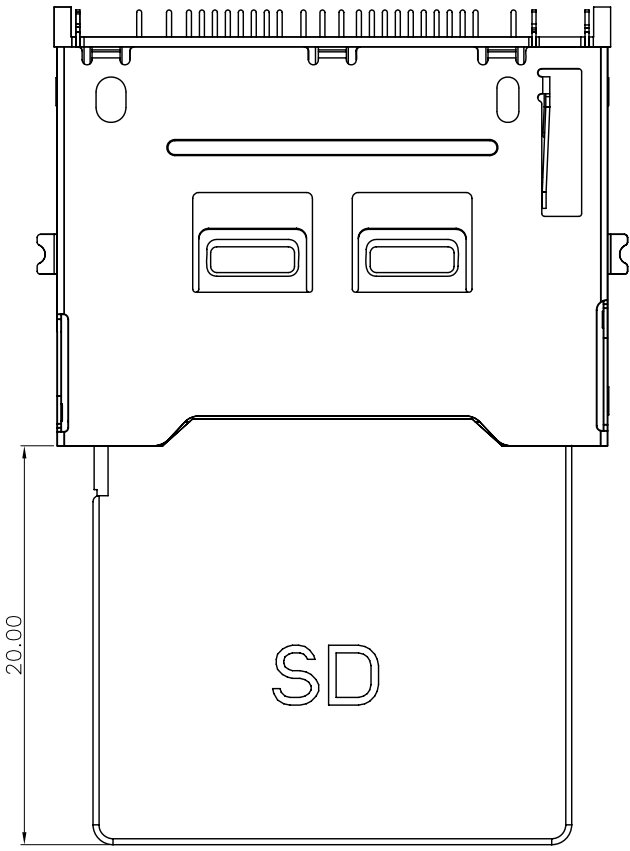
REV.	ECN.NO.	MODIFY.CONTENT	DATE
A	-	NEW DRAWING	

Pin No.	Mini-SD	SD	RS-MMC/MMC	RS-MMC4.0/MMC4.0
P1	RS-MMC4.0-DAT1 SD-DAT1	8P		8P
P2	RS-MMC-RSV/RS-MMC4.0-DAT0 SD-DAT0	7P	7P	7P
P3	RS-MMC4.0-DAT7			13P
P4	Mini-SD-DAT1	8P		
P5	RS-MMC-Vss2/RS-MMC4.0-Vss2 SD-Vss2	6P	6P	6P
P6	Mini-SD-DAT0	7P		
P7	RS-MMC4.0-DAT6			12P
P8	Mini-SD-VSS2	6P		
P9	RS-MMC-CLK/RS-MMC4.0-CLK SD-CLK	5P	5P	5P
P10	Mini-SD-CLK	5P		
P11	Mini-SD-VDD	4P		
P12	RS-MMC-VDD/RS-MMC4.0-VDD SD-VDD	4P	4P	4P
P13	Mini-SD-NC	11P		
P14	Mini-SD-NC	10P		
P15	RS-MMC-Vss1/RS-MMC4.0-Vss1 SD-Vss1	3P	3P	3P
P16	Mini-SD-VSS1	3P		
P17	RS-MMC4.0-DAT5			11P
P18	Mini-SD-CMD	2P		
P19	RS-MMC-CMD/RS-MMC4.0-CMD SD-CMD	2P	2P	2P
P20	Mini-SD-CD/DAT3	1P		
P21	RS-MMC4.0-DAT4			10P
P22	Mini-SD-DAT2	9P		
P23	RS-MMC-DAT3/RS-MMC4.0-DAT3 SD-CD/DAT3	1P	1P	1P
P24	RS-MMC4.0-DAT2 SD-DAT2	9P		9P

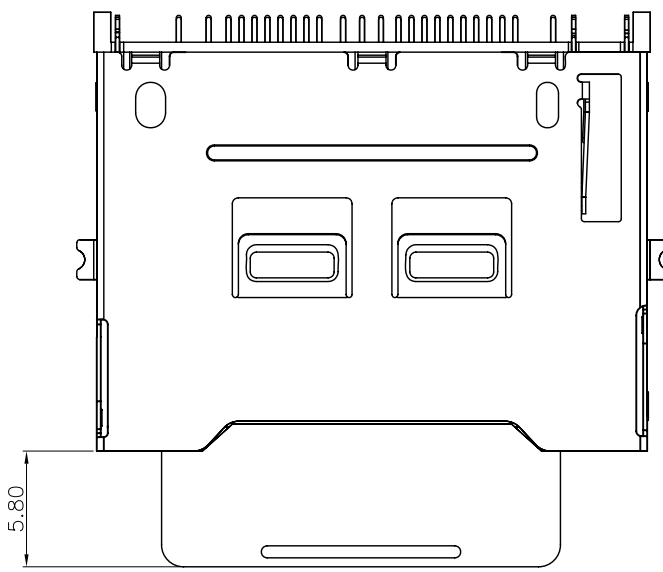


GENERAL TOLERANCE		FILE.NO.	00422	PART.NO.	00422-64	DRAWN	Barry	MATERIAL	SCALE	FULL
X.±0.25	X.±5°	REV.	A	TITLE	6IN1 CONNECTOR	CHECKED	Owen	DATE	UNITS	MM
.X±0.20	.X±2°	SIZE		SHEET	2 OF 3	APPROVED	Wellco T&C CO., LTD			
.XX±0.15	.XX±1°	A4								

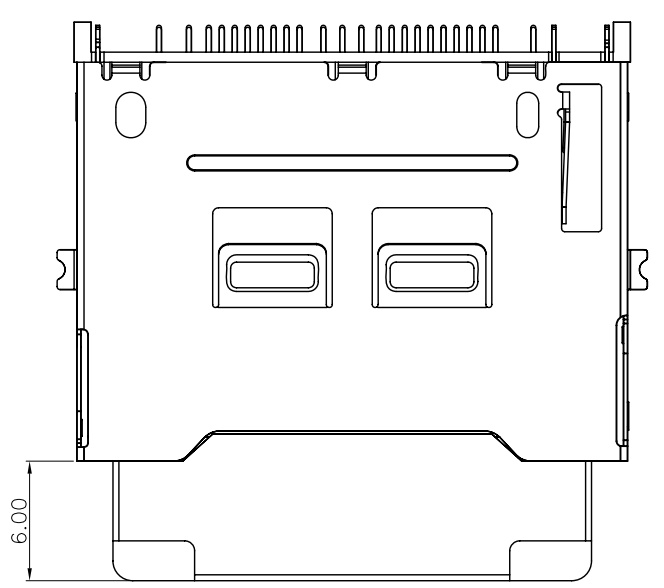
REV.	ECN.NO.	MODIFY.CONTENT	DATE
A	-	NEW DRAWING	



SD



MINISD CARD



RS-MMC/RS-MMC4.0

SD CARD/MMC/MMC4.0

GENERAL TOLERANCE		FILE.NO.	00422	PART.NO.	00422-64	DRAWN	Barry	MATERIAL	SCALE	FULL
X±0.25	X.°±5°	REV.	A	TITLE	6IN1 CONNECTOR	CHECKED	Owen	DATE	UNITS	MM
.X±0.20	.X°±2°	SIZE		SHEET	3 OF 3	APPROVED	<p style="text-align: center;"><i>Wellco T&C CO., LTD</i></p>			
.XX±0.15	.XX°±1°	A4								