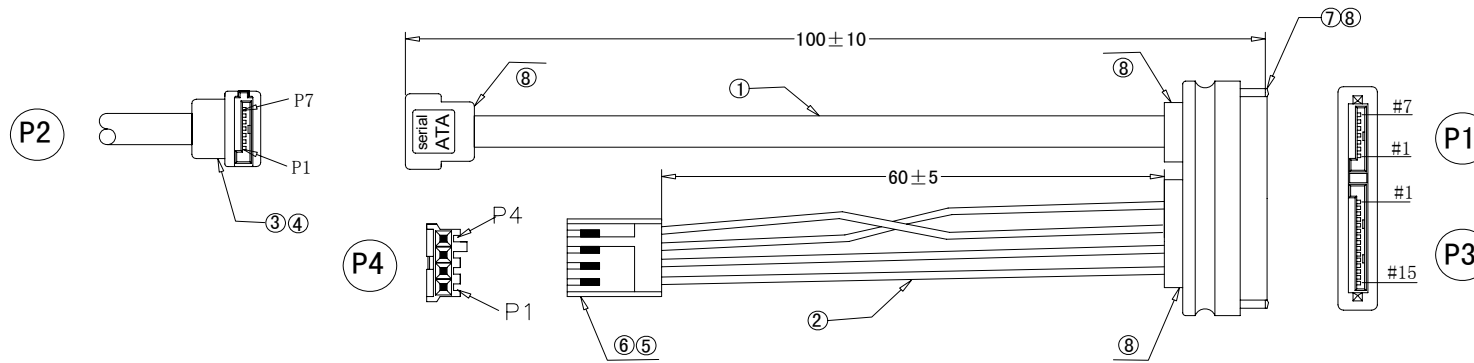
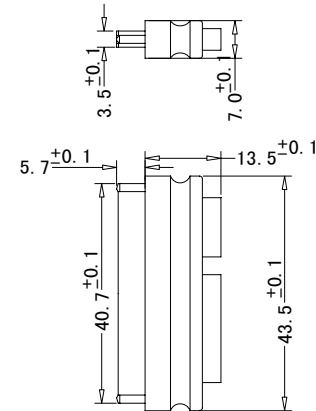
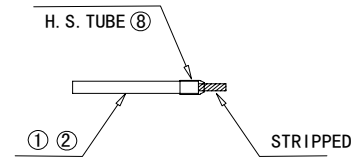
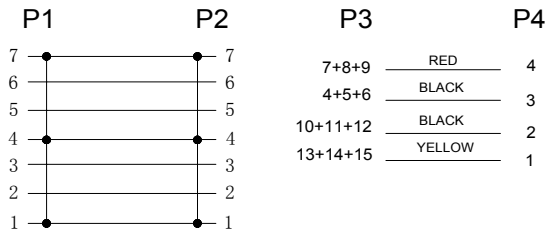


SIGN	DATE	DESCRIPTION	APPROVER
△			
△			



PIN OUT



PART LIST:ROHS

ITEM	NAME	DESCRIPTION	UNIT	Q'TY
1	CABLE	UL21149 (30AWG*2C+AL)*2F+3D OD=5.8*1.8MM. RED JACKET WHITE LETTERING	M	0.85
2	CABLE	UL1007 22AWG OD:1.6mm L=83mm (BLACK · RED · BLACK · YELLOW)	PCS	4
3	CONN.	S-ATA 7P/F INSULATOR BLACK, PIN GOLD FLASH, IMPACT TYPE	SET	1
4	PVC	PVC 45P BLACK	G	13
5	HOUSING	HOUSING 小4PIN PH=2.54mm WHITE.	PCS	1
6	TERMINAL	PH=2.54mm TERMINAL TIN PLATED	PCS	4
7	CONN.	S-ATA 7+15P/F INSULATOR BLACK, PIN GOLD FLASH, IMPACT TYPE 无尖	SET	1
8	PVC	PVC 45P BLANK.	G	25
9	H.S.TUBE	L=10MM. COLOR:TRANSPARENT.	PCS	14

Wellco T&C Co., Ltd.

PART NAME: SATA 7+15P CABLE		CUS. P/N:	
		DRAW NO.: SX-JL0909-0701	
APPROVED BY	CHECKED BY	DESIGNED BY	 Rain
Tolerance			
UNITS: mm			X.X ±0.30
SCALE: X/1			X.XX ±0.20
REVISION: A			X° ±1°