

REVISION RECORD		
REV	ECD	DRFT

NOTES:  
MATERIAL:

- 1. HOUSING MATERIAL : GLASS FILLED POLYESTER UL94V-0.
- 2. CONTACT MATERIAL : PHOSPHOR BRONZE t=0.35mm.
- 3. PLATING : GOLD PLATING 3u"~50u" OVER NICKEL

ELECTRICAL:

- 1. VOLTAGE RATING : 125 VAC RMS.
- 2. CURRENT RATING : 1.5 AMP.
- 3. CONTACT RESISTANCE : 30 MILLIOHMS MAX.
- 4. INSULATION RESISTANCE : 500 MEGOHMS MIN @ 500V DC .
- 5. DIELECTRIC WITHSTANDING RESISTANCE : 1000V AC RMS 50Hz. 1MIN.

MECHANICAL:

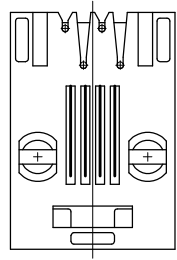
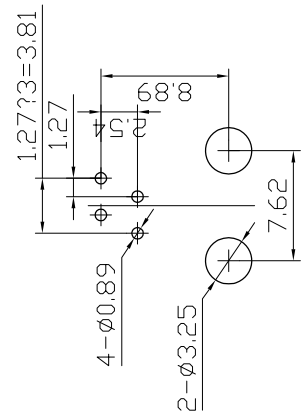
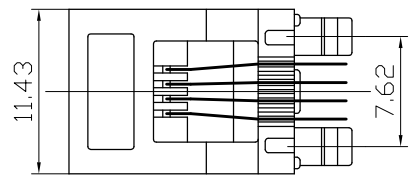
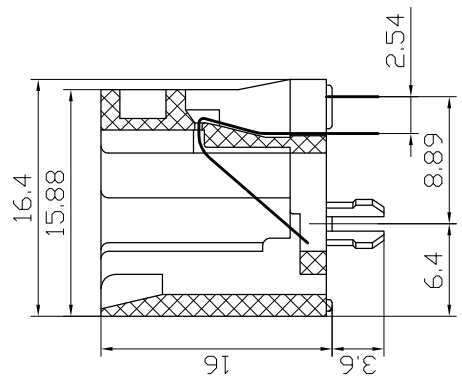
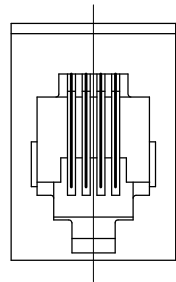
- 1. DURRABILITY : 750 CYCLES MIN.
- 2. PCB RETENTION PRE-SOLDER : 1 LB MIN.

ENVIRONMENTAL:

- 1. STORAGE : -40° C TO 85° C.
- 2. OPERATION : 0° C TO 70° C.

PART NUMBER: ZP52A

52A SERIES JACK



POSITIONS	CONTACTS	PEG	PANEL	PLASTIC	COLOR	LOGO	GOLD PLATING
4-4 POSITIONS	2-2 CONTACTS	1-SPLIT LONG PEG	0-W/D PANEL	1-PBT	1-BLACK	0-W/D LOGO	1-15u"
5-6 POSITIONS	4-4 CONTACTS	2-SPLIT SHORT PEG	1-W/ PANEL	2-NYLON66	2-WHITE	1-W/ ZPY	2-30u"
8-8 POSITIONS	6-6 CONTACTS	3-L' PEG		3-NYLON46	3-GRAY	2-W/ UL	3-6u"
				4-ABS	4-IVORY	3-W/ ZPY&UL	4-15u"
							5-30u"
							6-50u"

PC Board Layout  
Component Side Shown

DFTO: SHB DATE: 2007.05.05		CHKD: LANBO DATE: 2007.05.05	
MFCO: DATE:		APPL: DATE:	
MATERIAL :			
QTY'Y :			
FINISH :			
SCALE :			
THIRD ANGLE PROJECTION		DRAWING NO. TES2A1003	
PART NO.		/PART NO.	
DO NOT SCALE DRAWING		SHEET	
4		3	
5		2	
6		1	
7		DF	
8		1	

**Wellco T&C Co., Ltd.**

TITLE  
52 TOP ENRYRY JACK 4P4C

SIZE REV  
A3 0