

| REVISION RECORD |     |             |                       |
|-----------------|-----|-------------|-----------------------|
| REV             | ECO | DESCRIPTION | CHKD                  |
| △               |     | 原始版本        | MARRY<br>06.06.09     |
| △               |     | 增加料号,更改图号   | JACKY<br>07.02.05     |
| △               |     | 增加颜色信息      | ZHOUXIONG<br>07.04.28 |

**NOTES:**

**ELECTRICAL:**

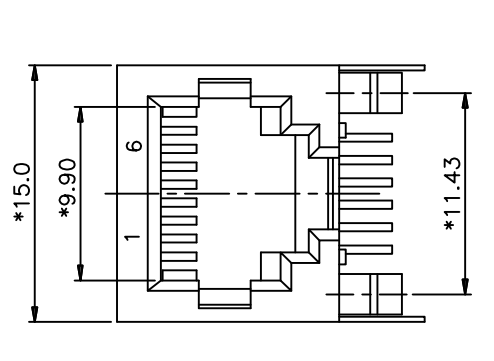
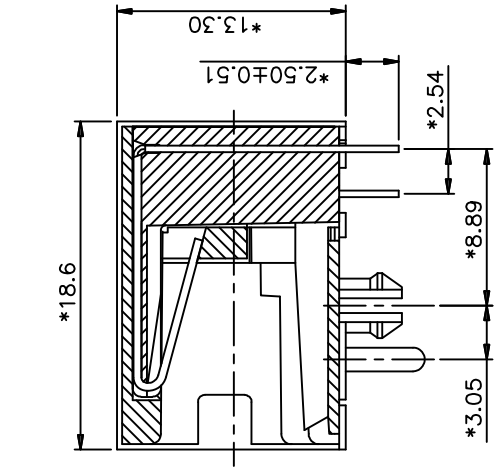
- VOLTAGE RATING : 125VAC RMS
- CURRENT RATING : 1.5 AMP
- CONTACT RESISTANCE : 50 MILLIOHMS MAX
- INSULATION RESISTANCE : 500 MEGOHMS MIN @500 VDC
- DIELECTRIC STRENGTH : 1000 VAC RMS 50HZ.1MIN

**MECHANICAL:**

- HOUSING MATERIAL : GLASS FILLED POLTER(UL94V-0)
- CONTACT MATERIAL : PHOSPHOR BRONZE T=0.46MM
- PLATING : GOLD PLATION OVER NICKEL
- OPERATION LIFE : 750 CYCLES MIN
- PCB RETENTION PRE-SOLDER : 1 LBMIN
- PCB RETENTION POST-SOLDER:10 LBMIN

**ENVIRONMENTAL:**

- STORAGE : -40°C TO +85°C
  - OPERATION : 0°C TO +70°C
  - WAVE SOLDER TEMPERATURE:230~250°C(5~10SECONDS)
- MATES WITH MODULAR PLUG CONFORMING TO FCC PART68 SUBPART F



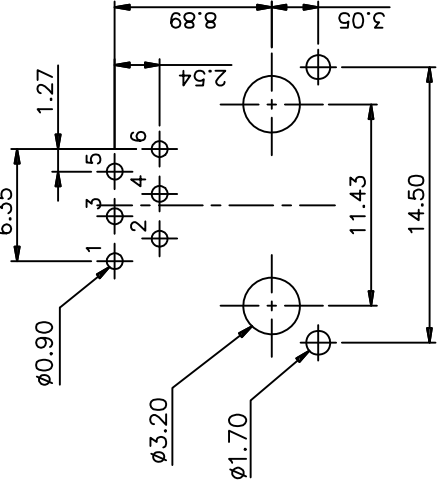
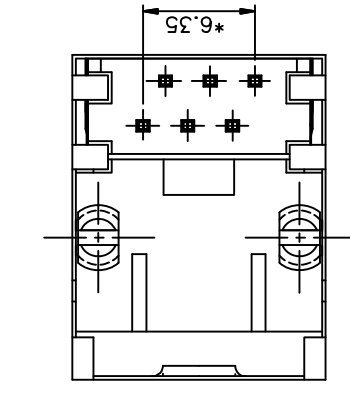
**PART NUMBER:**

XA56B2-XX-XXXXXX

56B2 SERIES  
PCB JACK  
(56B2系列PCB插头)

- POSITIONS (材料型号):  
 4-4POSITIONS (4P), 6-6POSITIONS (6P),  
 8-8POSITIONS (8P), 0-10POSITIONS (10P)  
 CONTACTS (材料型号):  
 2-2CONTACTS (2C)  
 4-4CONTACTS (4C), 6-6CONTACTS (6C)  
 8-8CONTACTS (8C), 0-10CONTACTS (10C)  
 PORTS (材料型号):  
 1-1X1 (1P), 2-1X2 (2P)  
 4-1X4 (4P), 5-1X5 (5P)  
 6-1X6 (6P), 8-1X8 (8P)  
 SHIELD (材料型号):  
 0-W/O SHIELD (材料)  
 1-HALF SHIELD (材料)  
 2-SHIELD W/EMI (材料)  
 3-SHIELD W/O EMI (材料)

GOLD PLATING (材料型号)  
 1-FU", 2-3U"  
 3-6U", 4-15U"  
 5-30U", 6-50U"  
 PLASTIC 材料:  
 1-PBT, 2-NYLON66 (材料66)  
 3-NYLON46 (材料46), 4-ABS  
 PIN STYLE (材料):  
 1-ROUND PIN (材料)  
 2-FLAT PIN (材料)  
 PEG/TAB (材料材料):  
 0-W/O PEG (材料)  
 1-FRONT PEG3.05 (材料3.05)  
 2-FRONT PEG3.68 (材料3.68)  
 3-FRONT PEG4.57 (材料4.57)  
 4-BACK PEG3.05 (材料3.05)  
 5-BACK PEG3.68 (材料3.68)



PC Board Layout

|              |             |             |                  |
|--------------|-------------|-------------|------------------|
| 设计 MARRY     | 日期 06.06.09 | 系列          | 名称               |
| 审核 JACKY     | 日期 06.06.09 | 56B2        | XA56B2-66-131111 |
| 批准 ZHOUXIONG | 日期 06.06.09 |             |                  |
| 材料:          |             | 图号:         | 版本               |
| 数量:          |             | 料号:         | A4 版本            |
| 表面处理:        |             | 不 按 比 例     |                  |
| 比例: 1:1      |             | 共 1 页 第 1 页 |                  |

**Wellco T&C Co., Ltd.**

DETACHED LISTS

